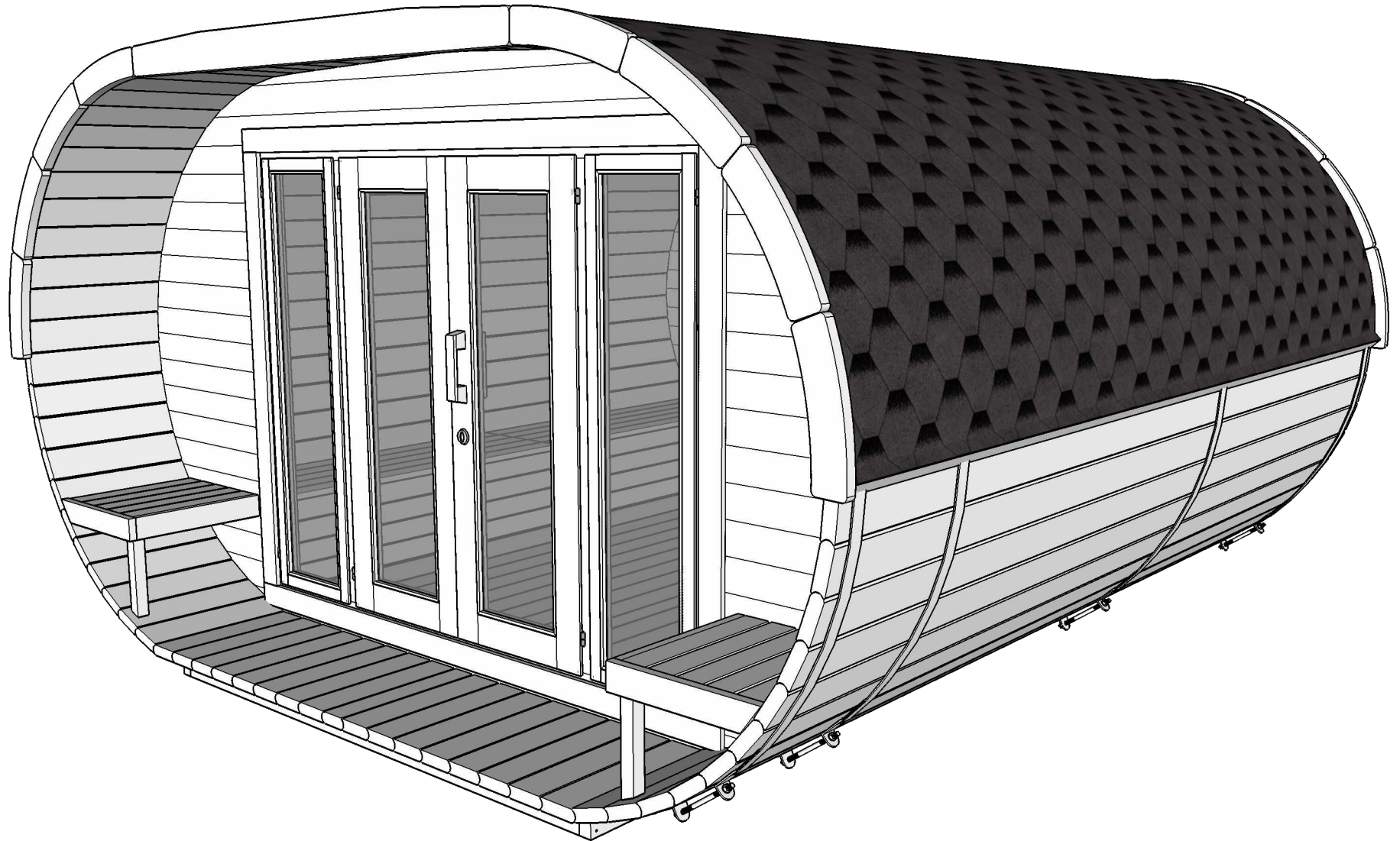
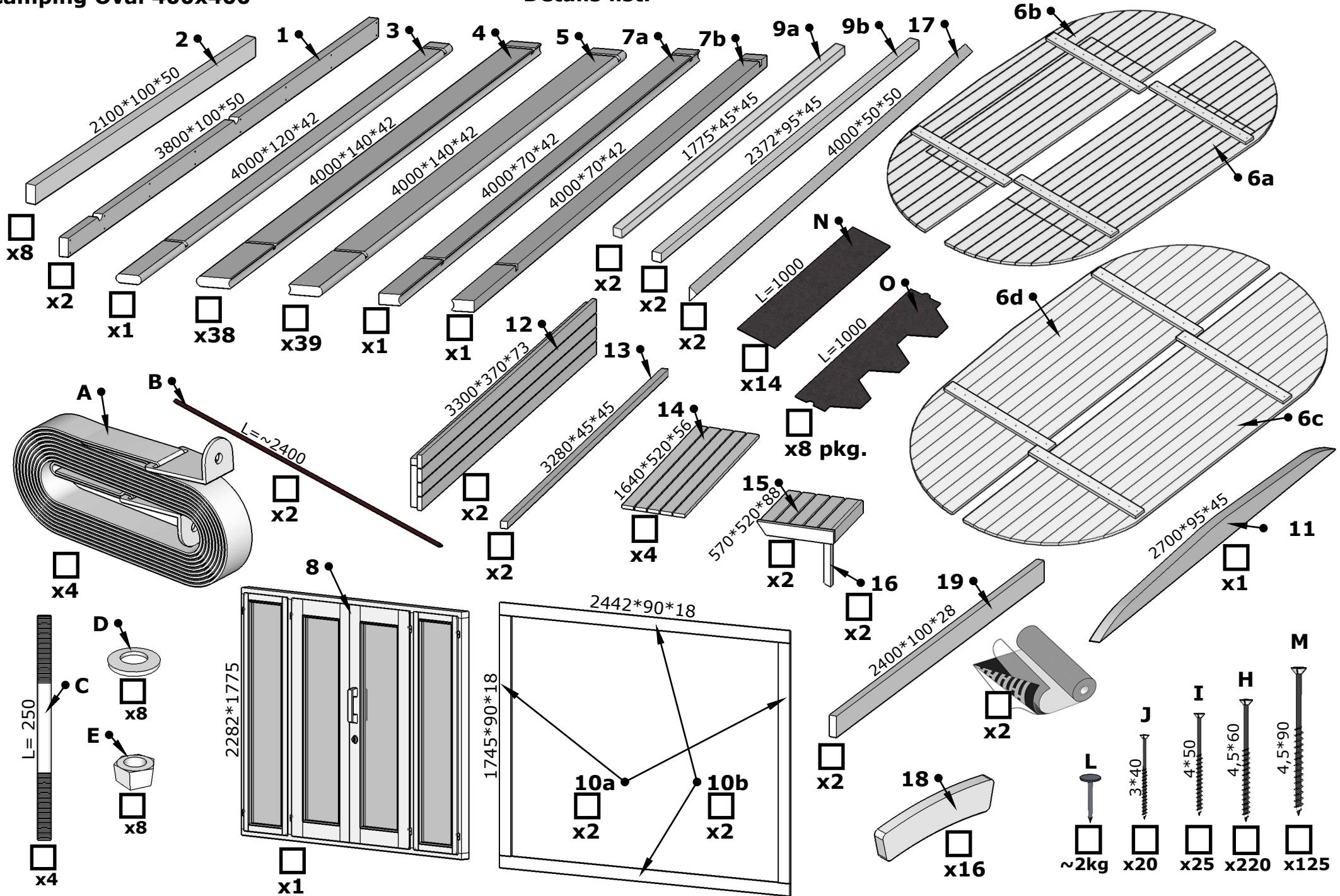


# Camping Oval 400 x 400



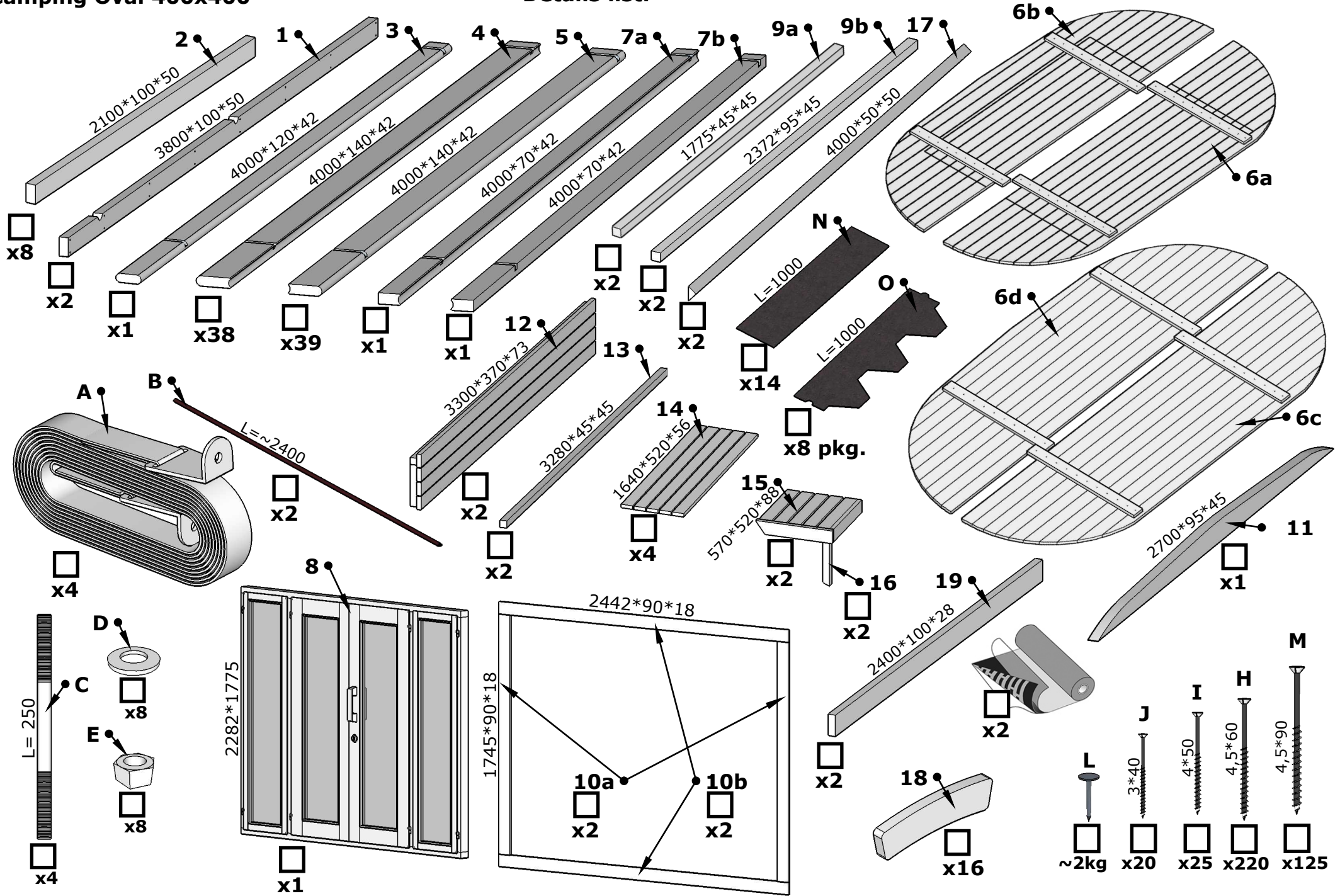
# Camping Oval 400x400

## Details list.

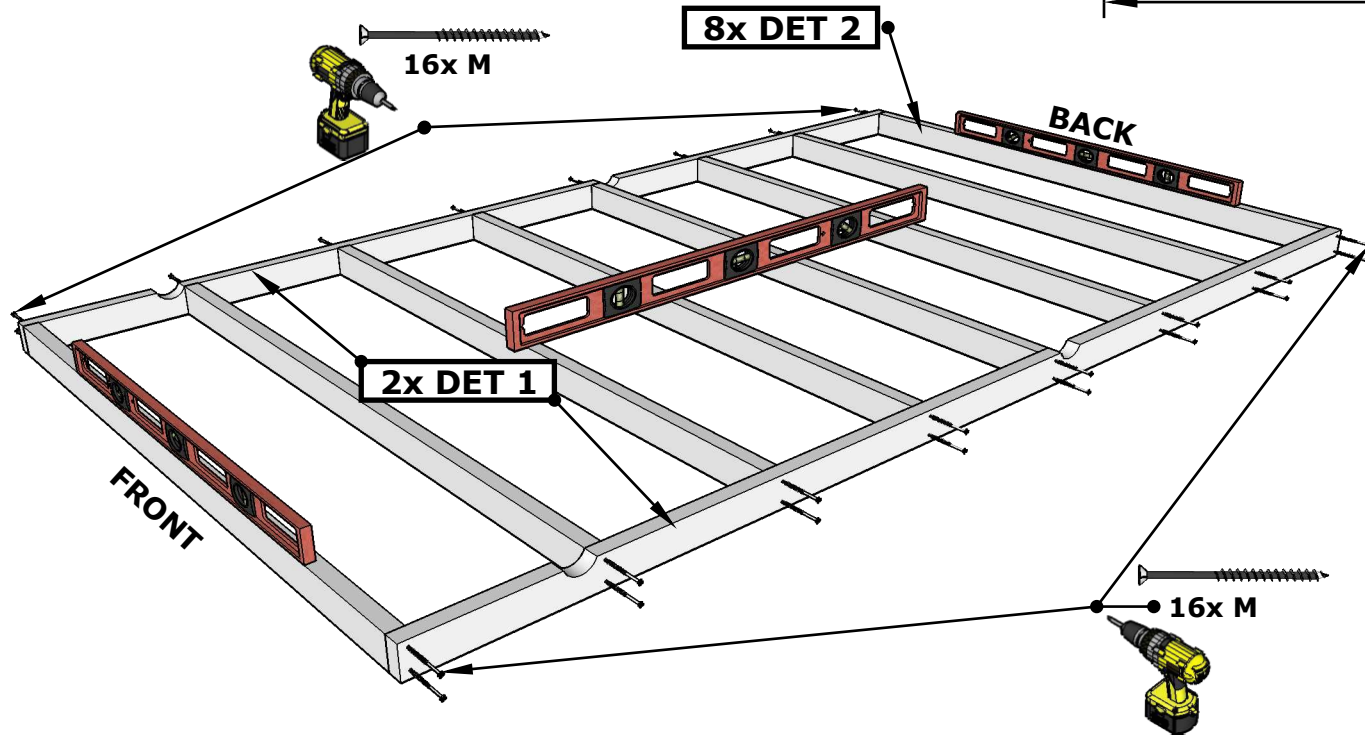
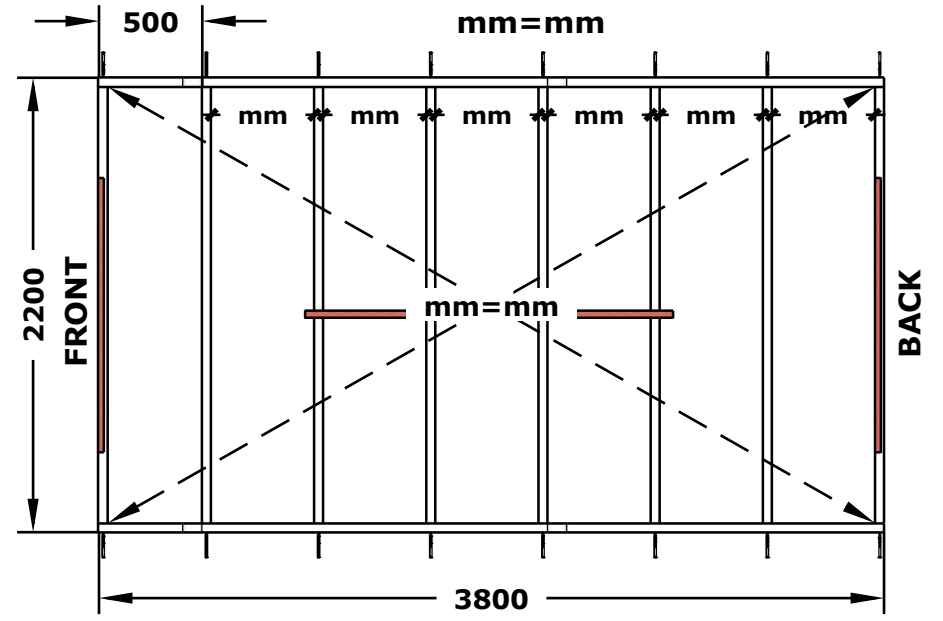


# Camping Oval 400x400

## Details list.

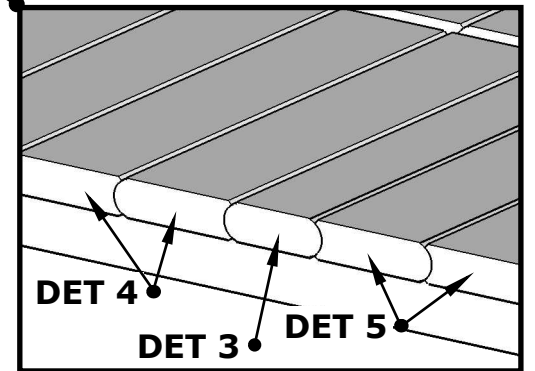
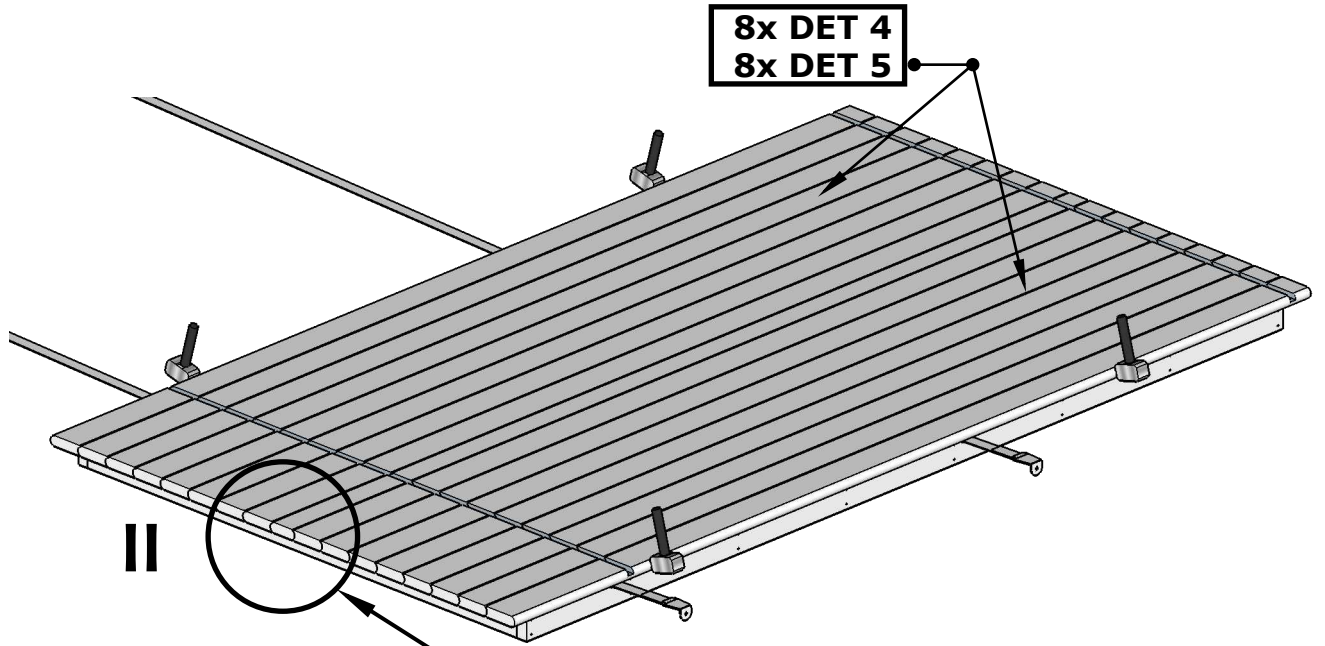
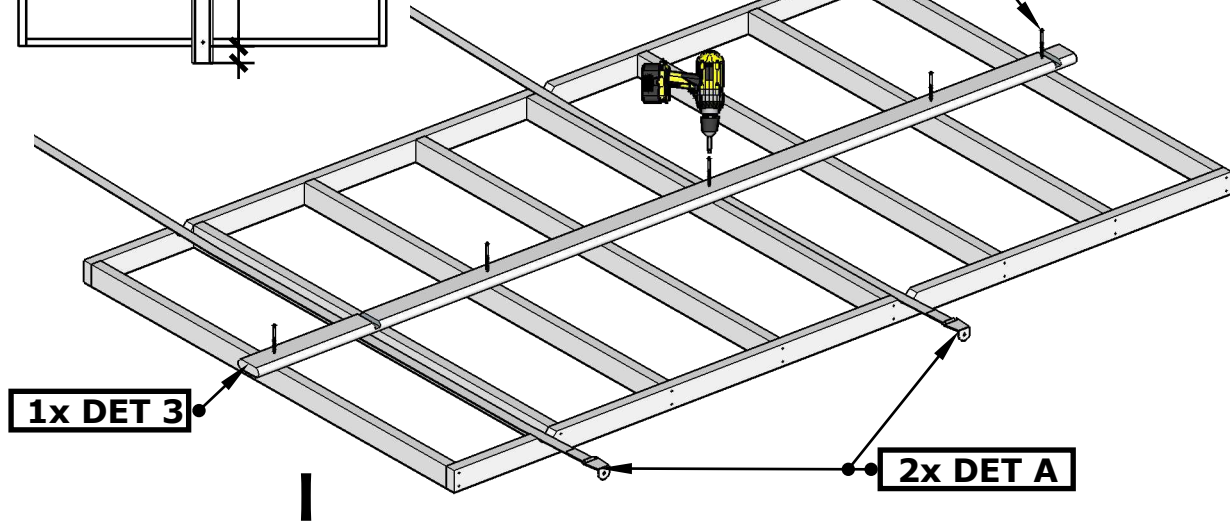
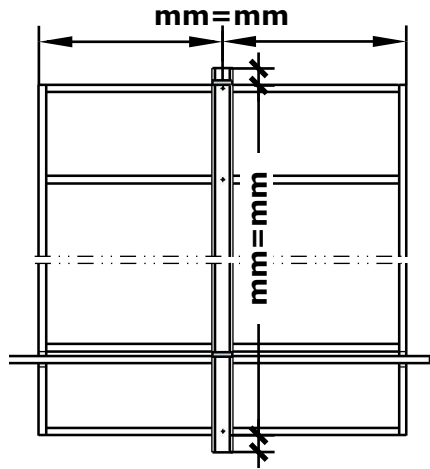
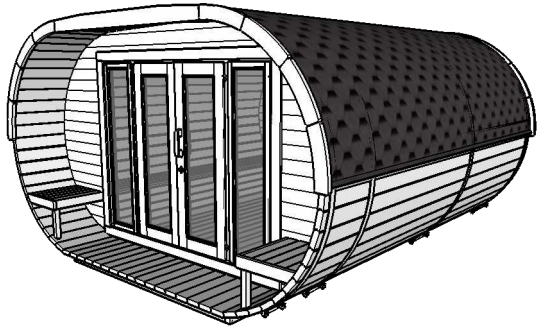


# Camping Oval 400 x 400

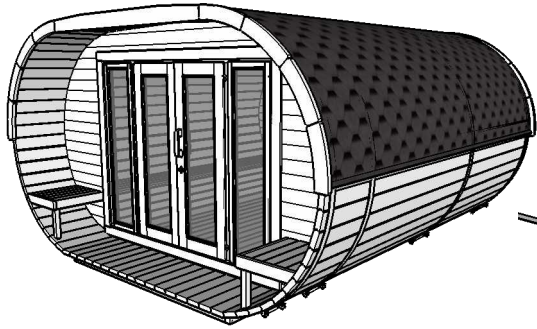


1.

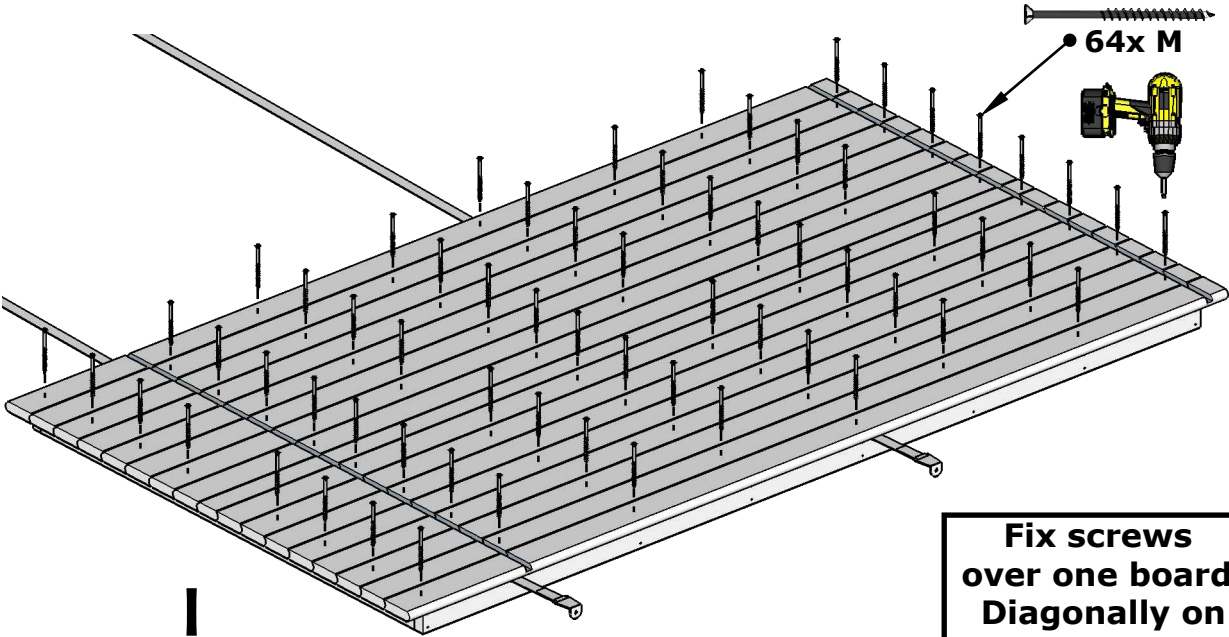
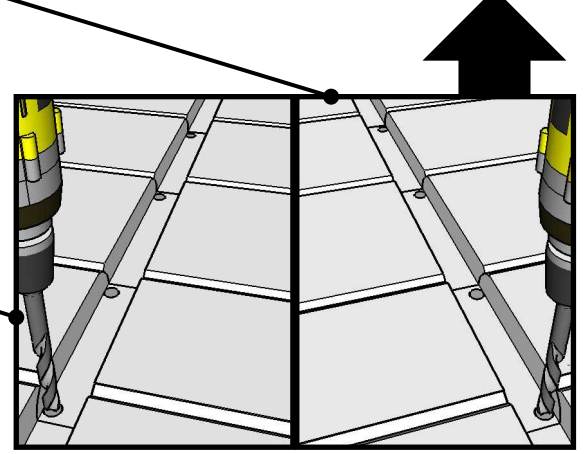
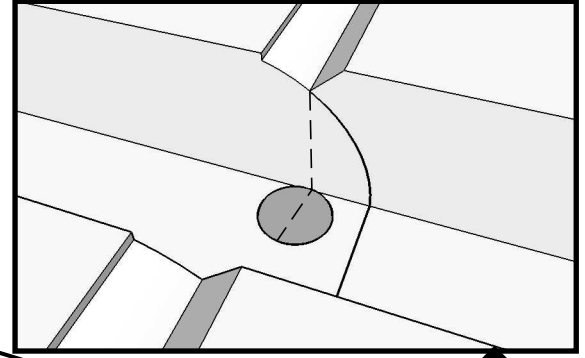
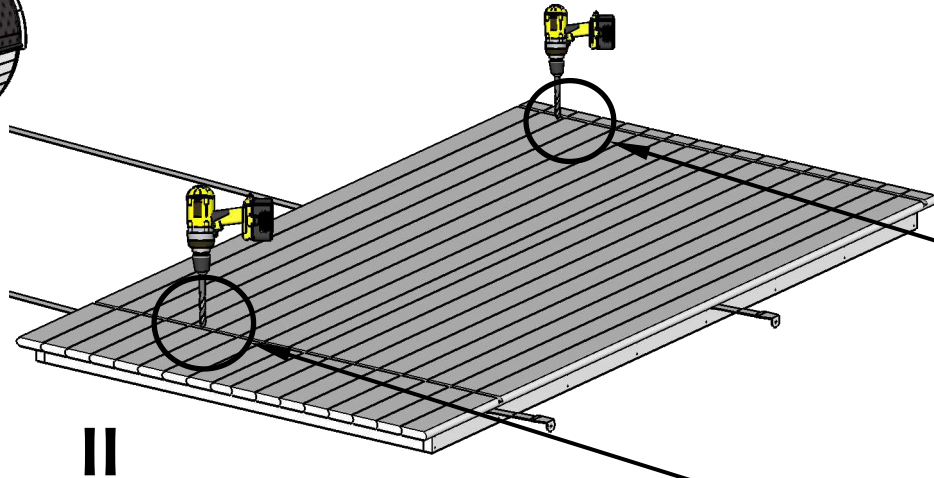
# Camping Oval 400 x 400



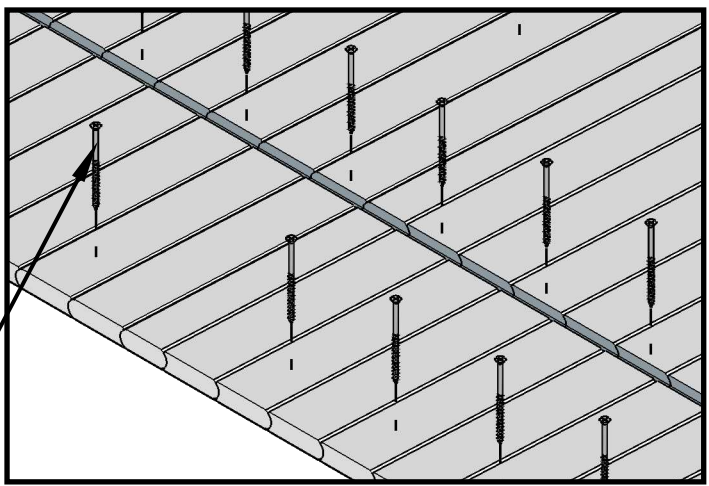
# Camping Oval 400 x 400



Drill Hole  $\varnothing 10$  in every board, outside.

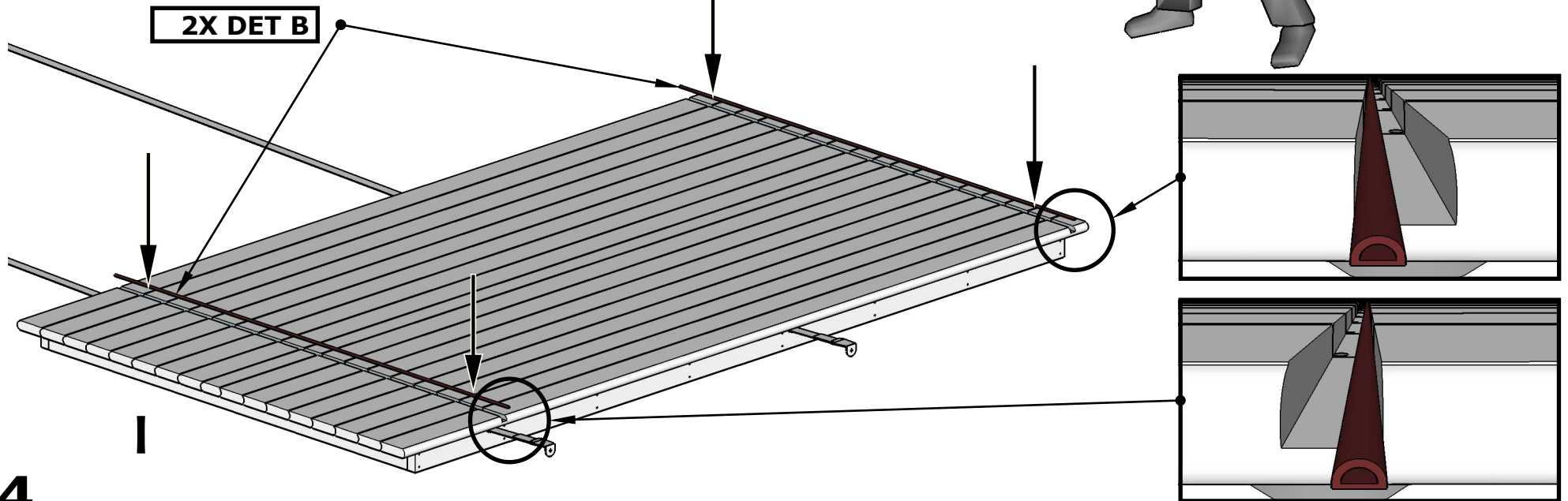
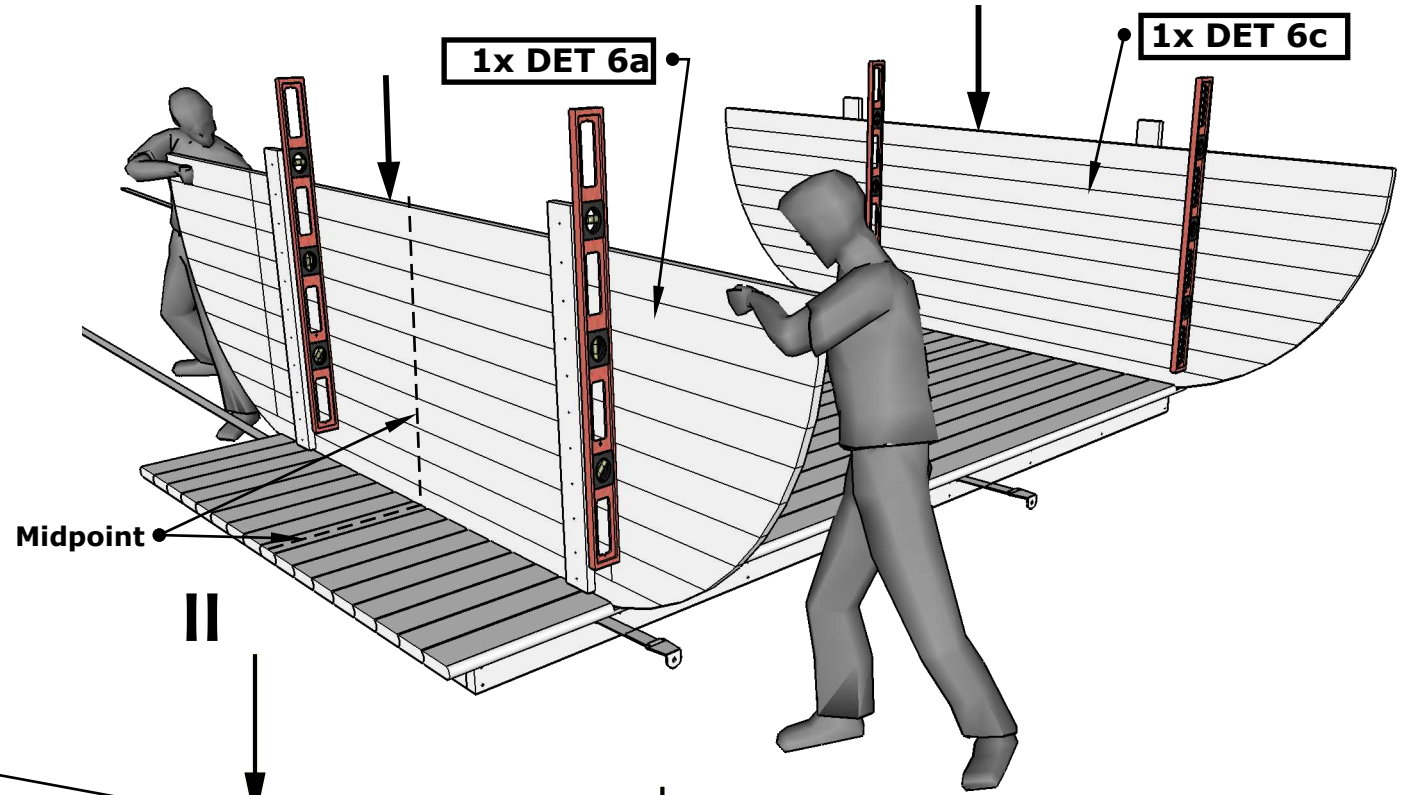
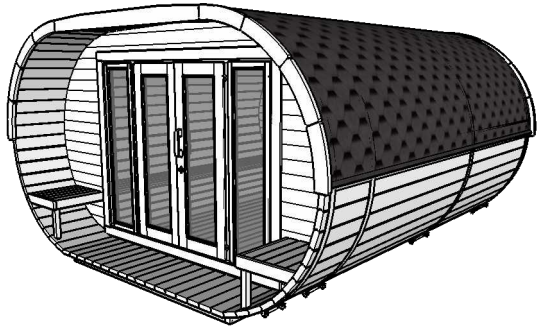


Fix screws over one board! Diagonally on every board!



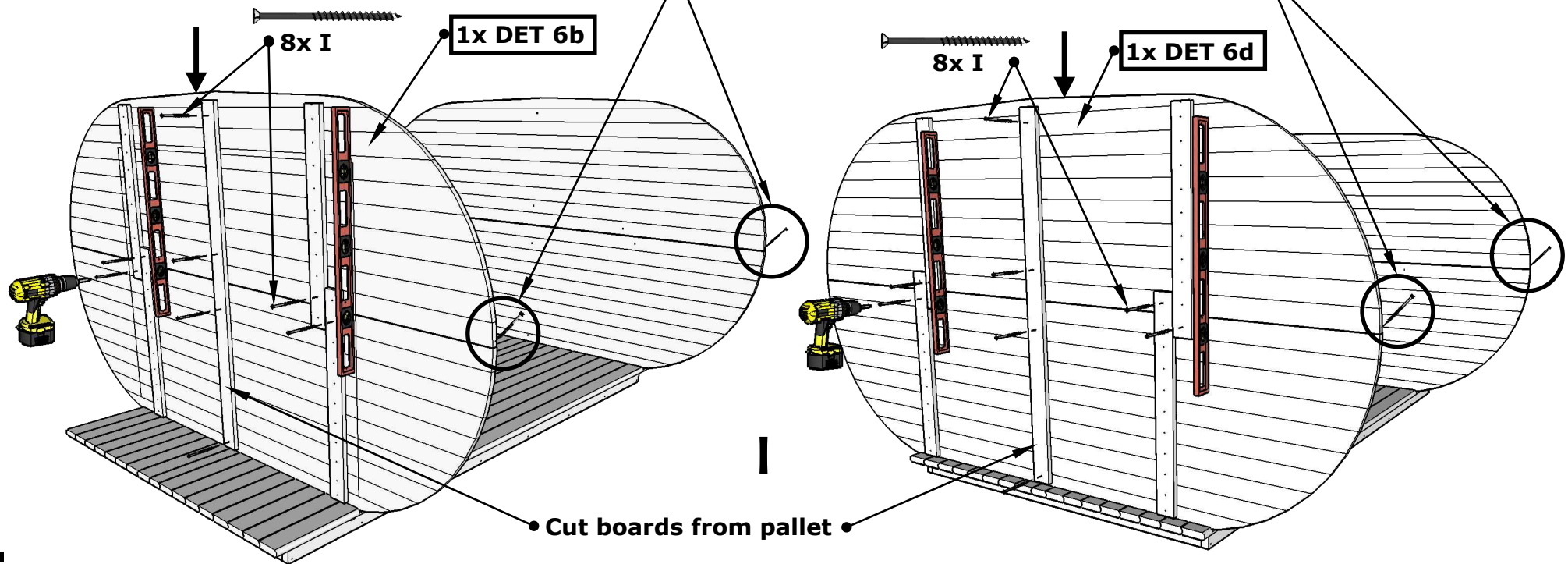
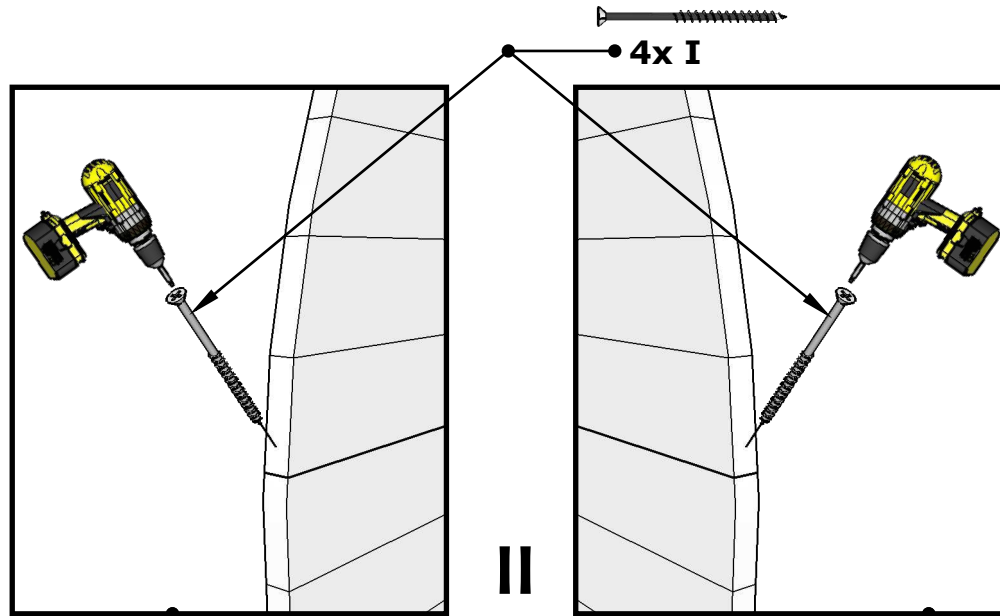
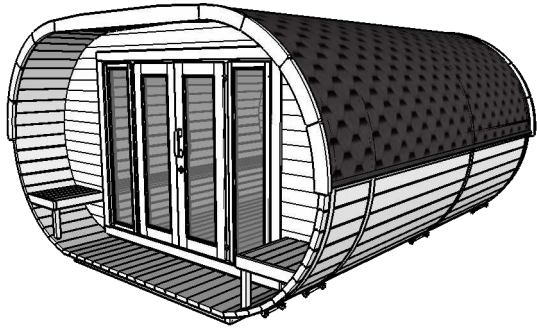
3.

# Camping Oval 400 x 400



4.

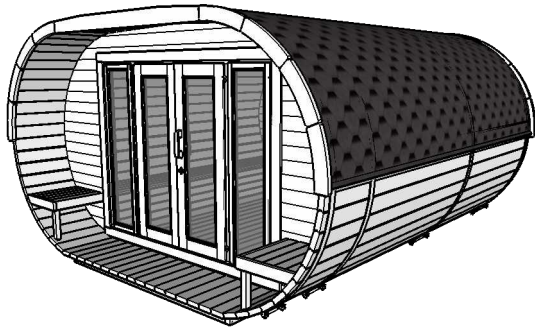
# Camping Oval 400 x 400



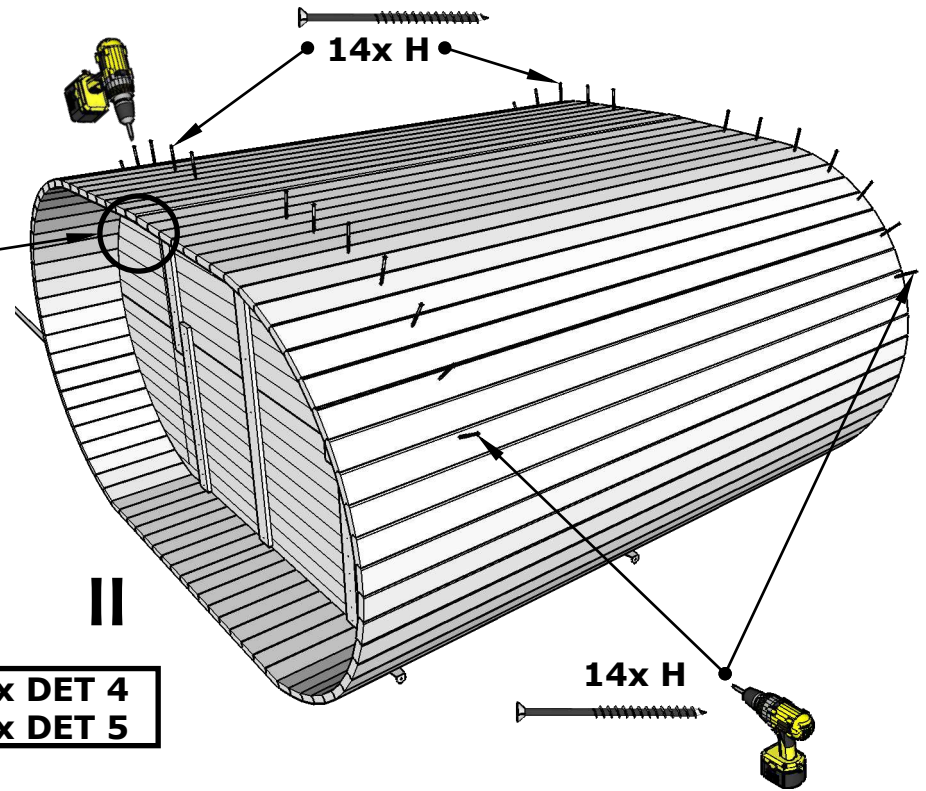
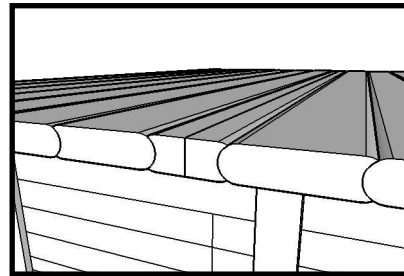
5.



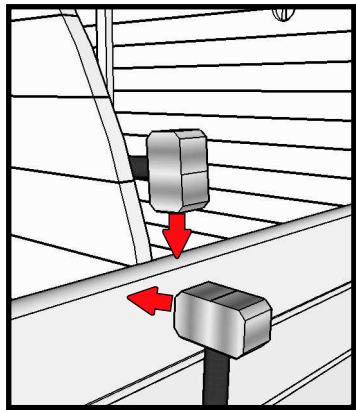
# Camping Oval 400 x 400



Watch Page 6A

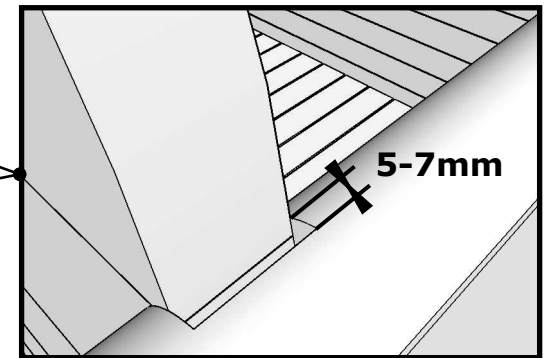
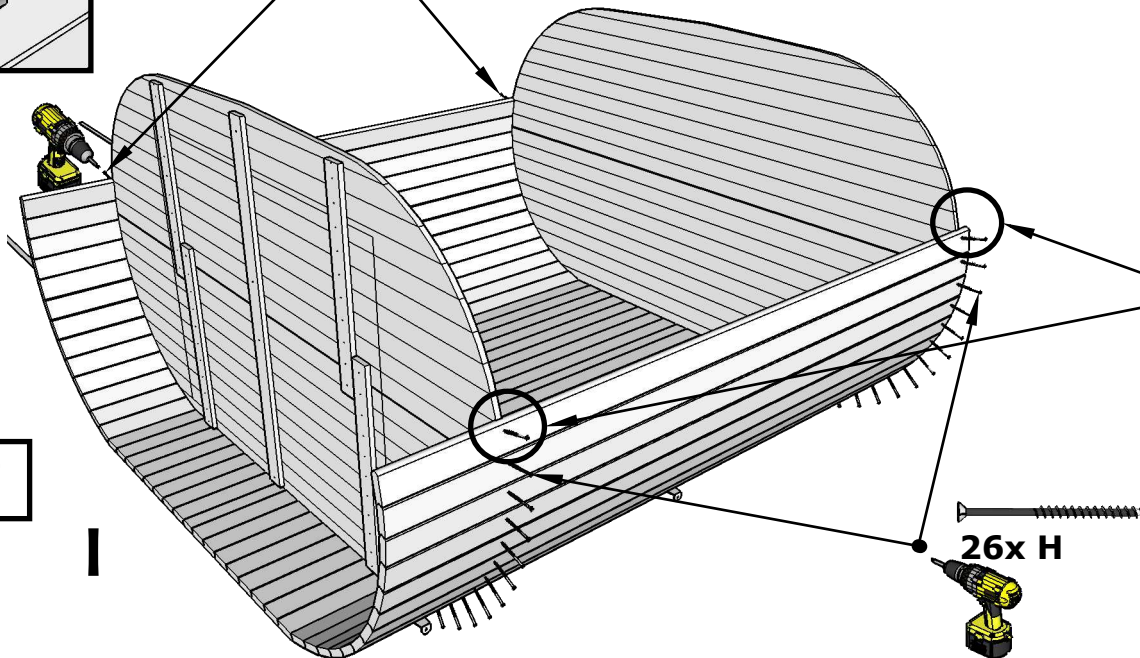


17x DET 4  
18x DET 5



26x H

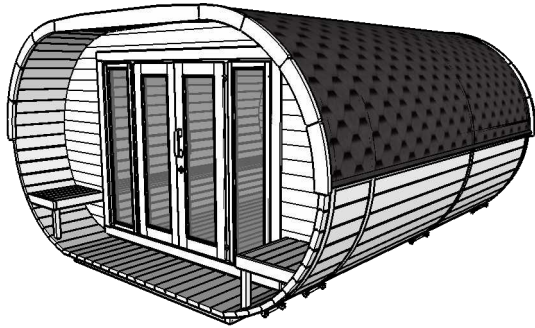
13x DET 4  
13x DET 5



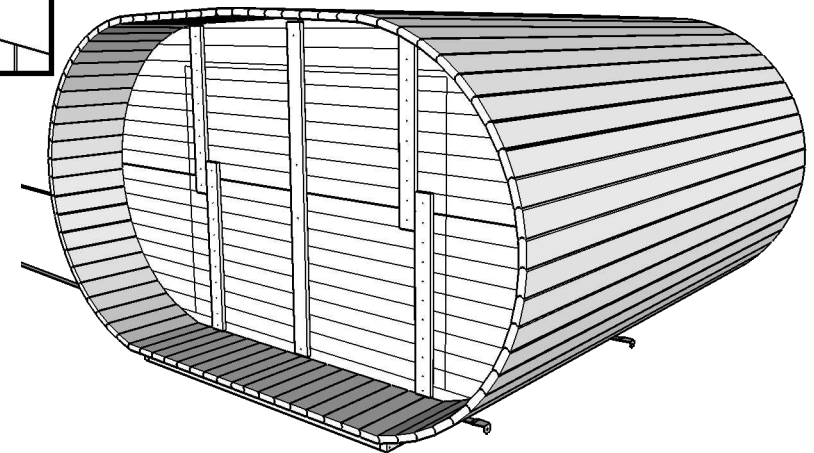
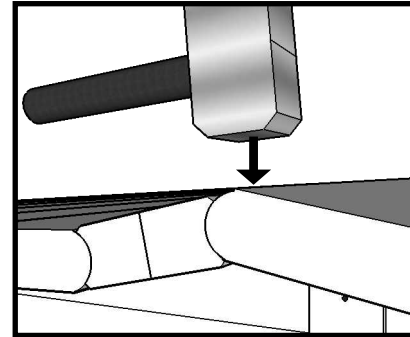
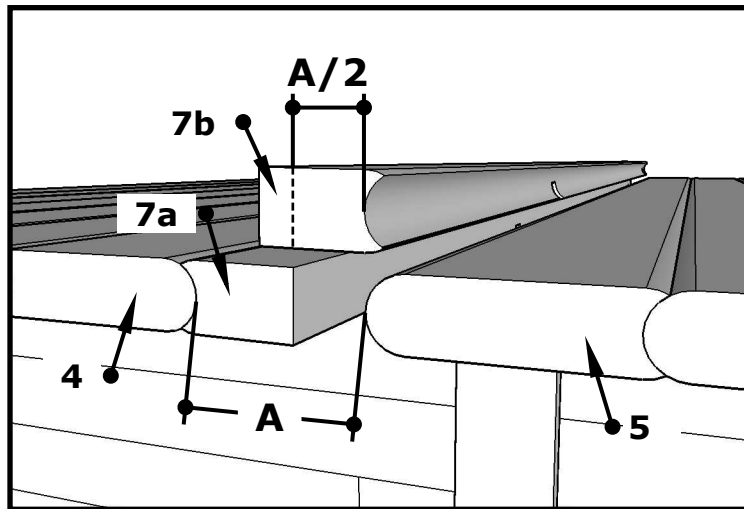
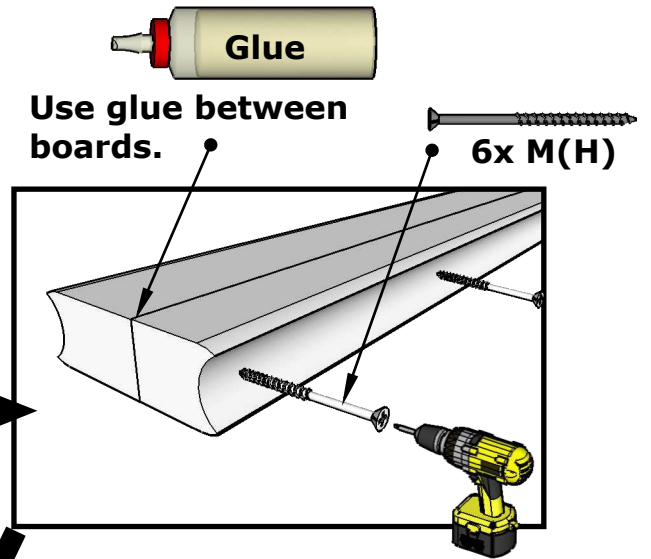
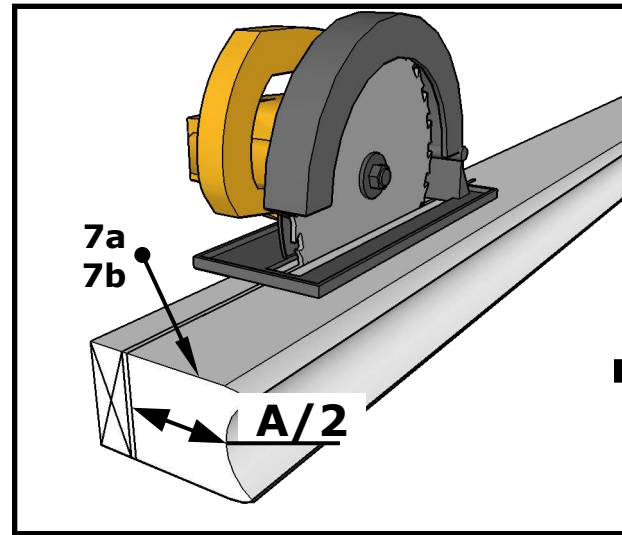
NB! Don't leave space, if using thermal wood!!!

6.

# Camping Oval 400 x 400

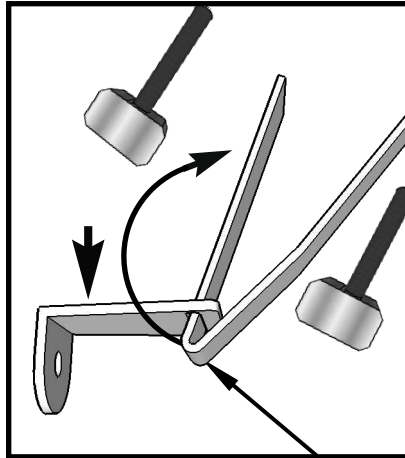
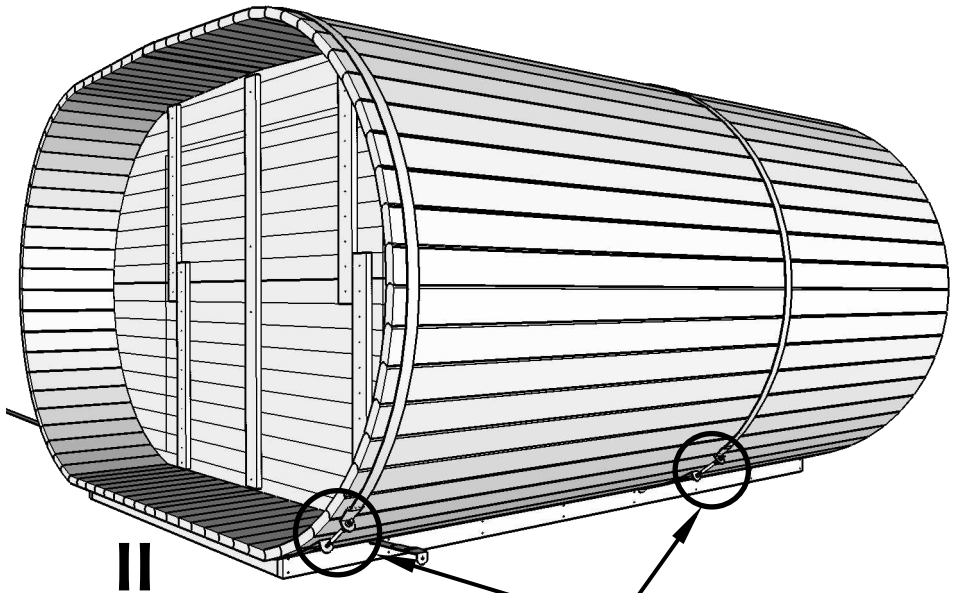
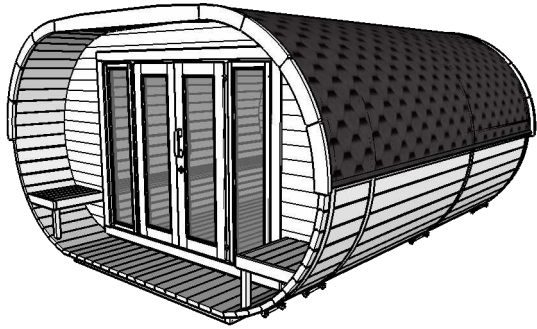


**Important!!!**

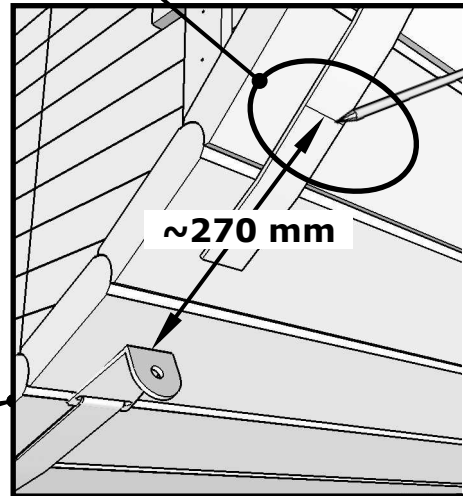
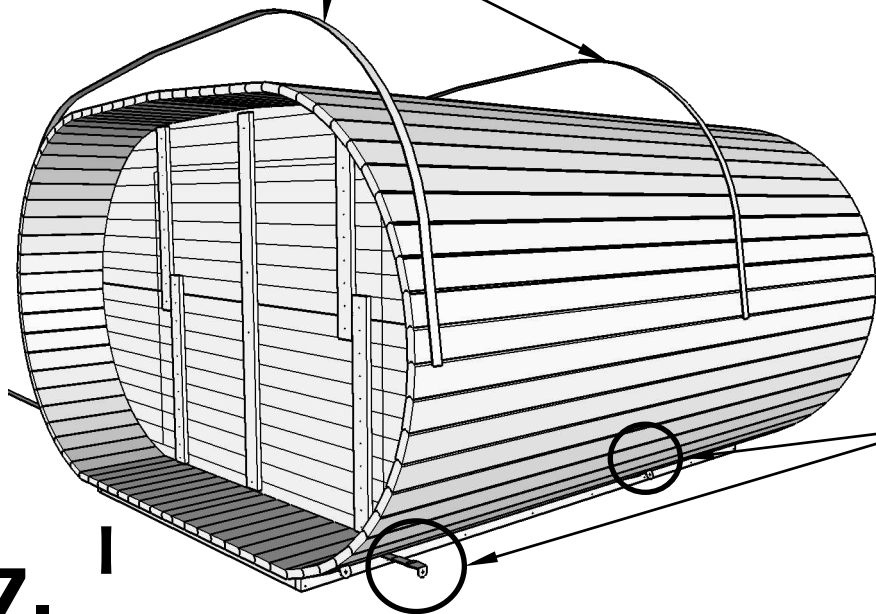


**6A.**

# Camping Oval 400 x 400

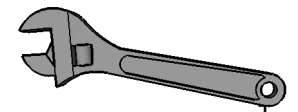
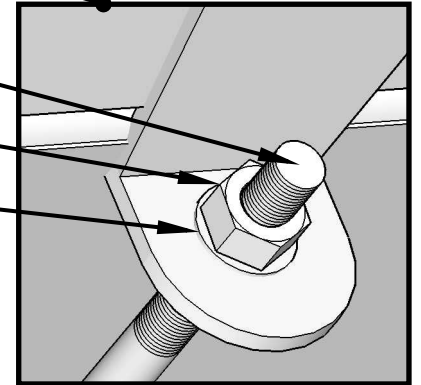


2x DET A



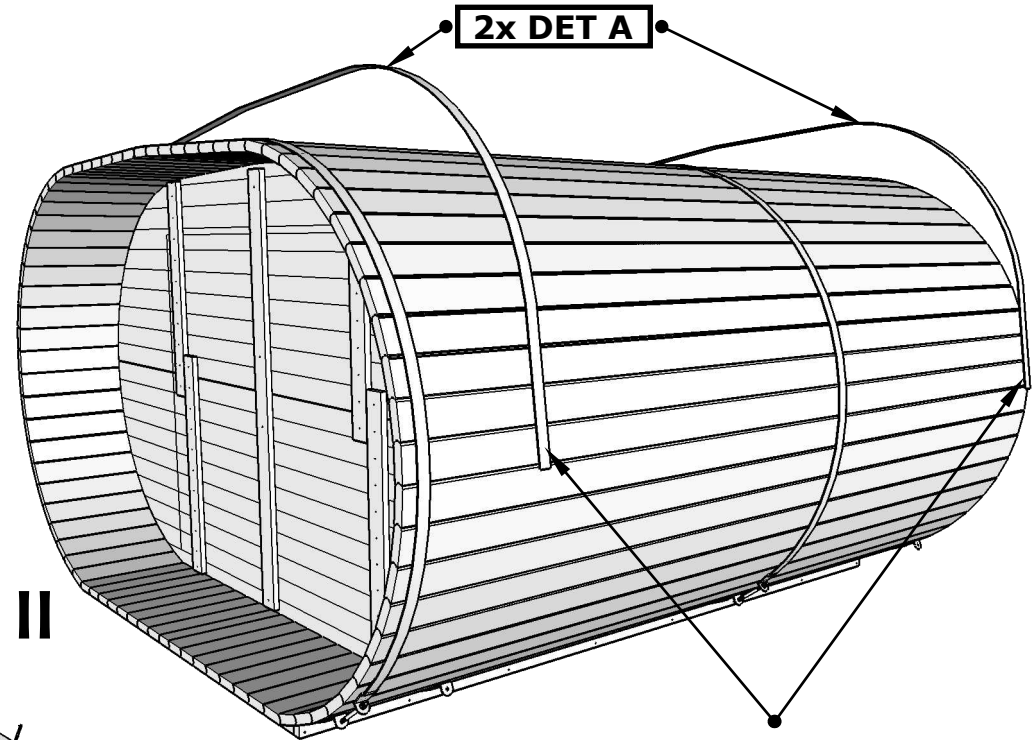
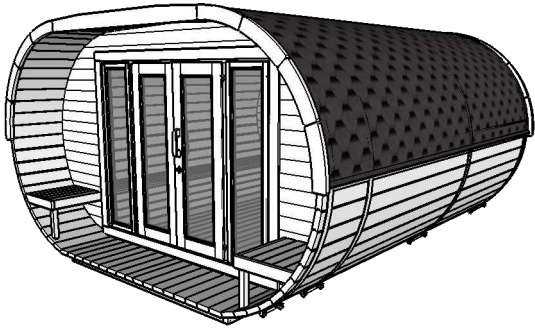
~270 mm

C  
D  
E

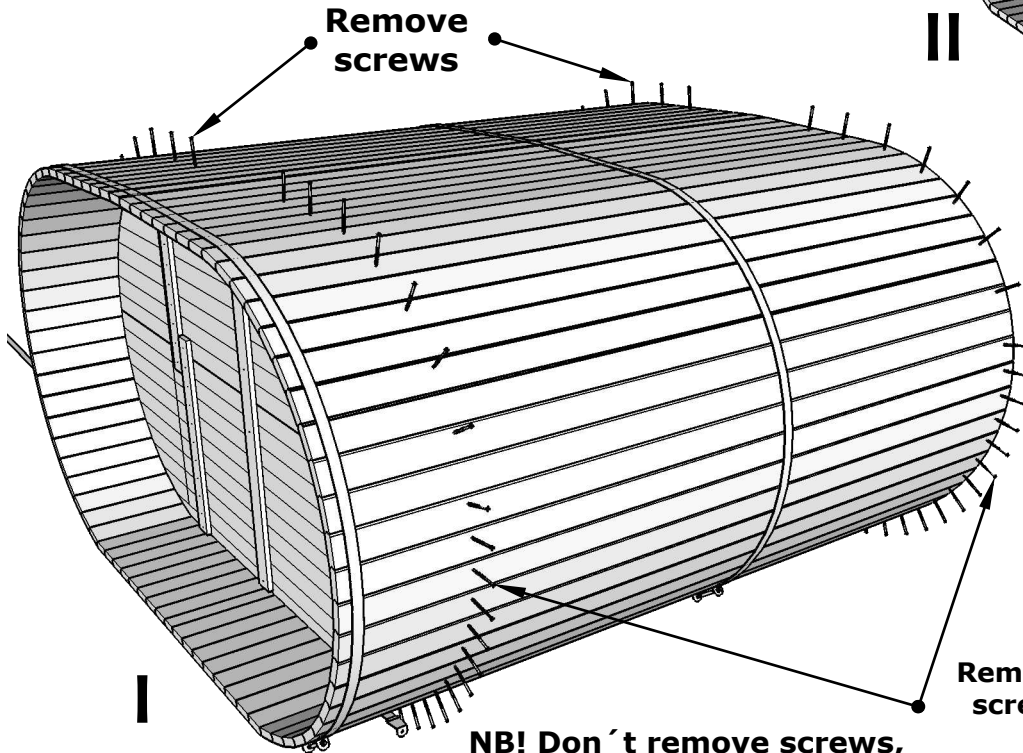


7. 1

# Camping Oval 400 x 400

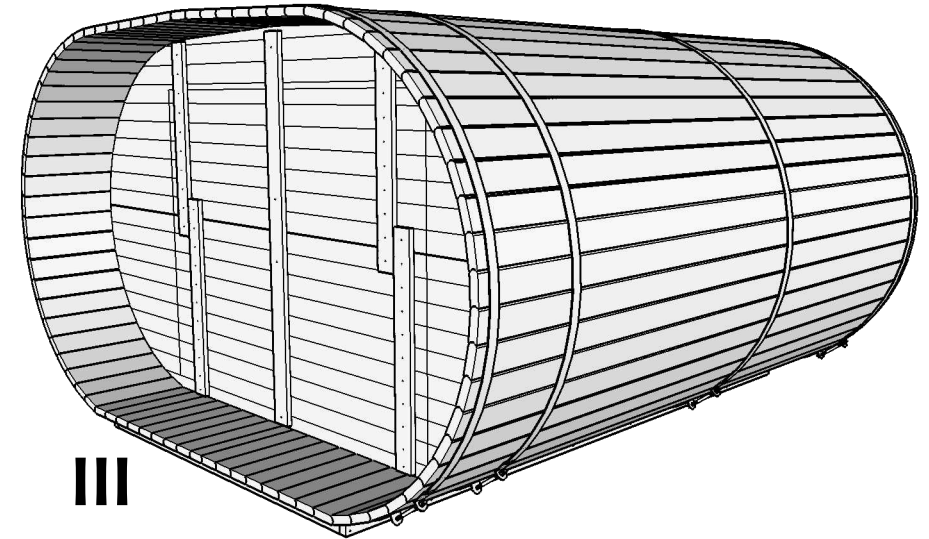


Check collar installation on Page 7.



Remove screws

NB! Don't remove screws, if using thermal wood.

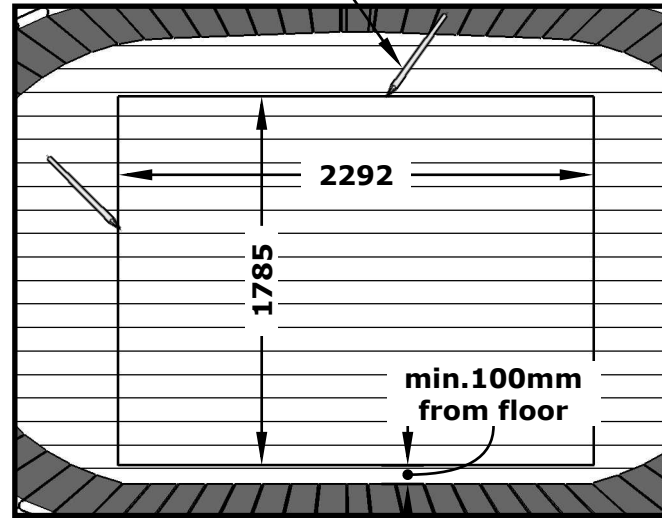


8.

# Camping Oval 400 x 400

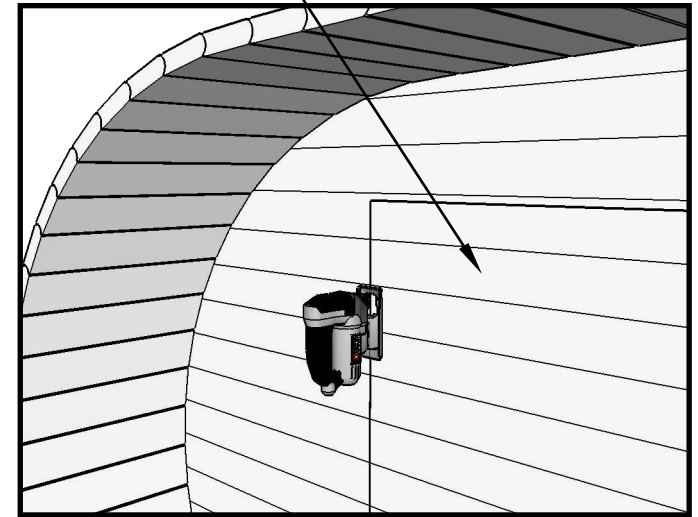


Mark door opening.

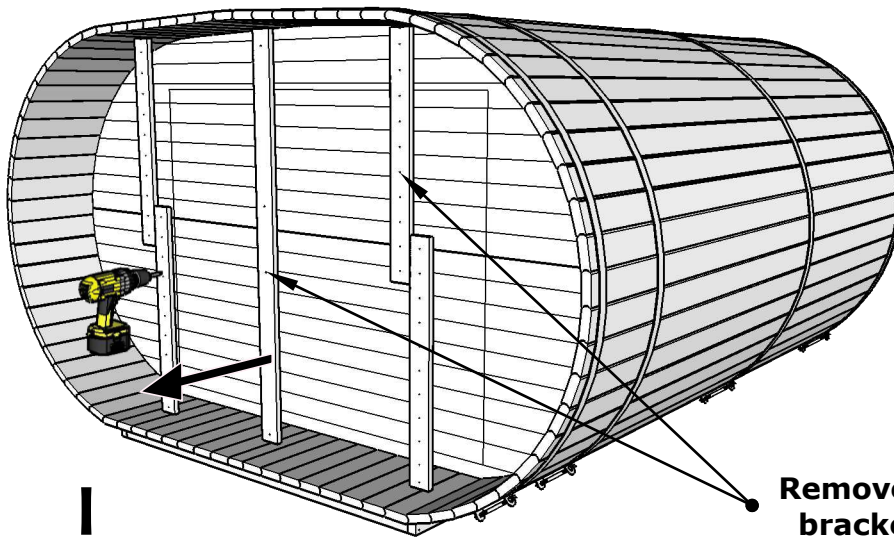


II

Cut out

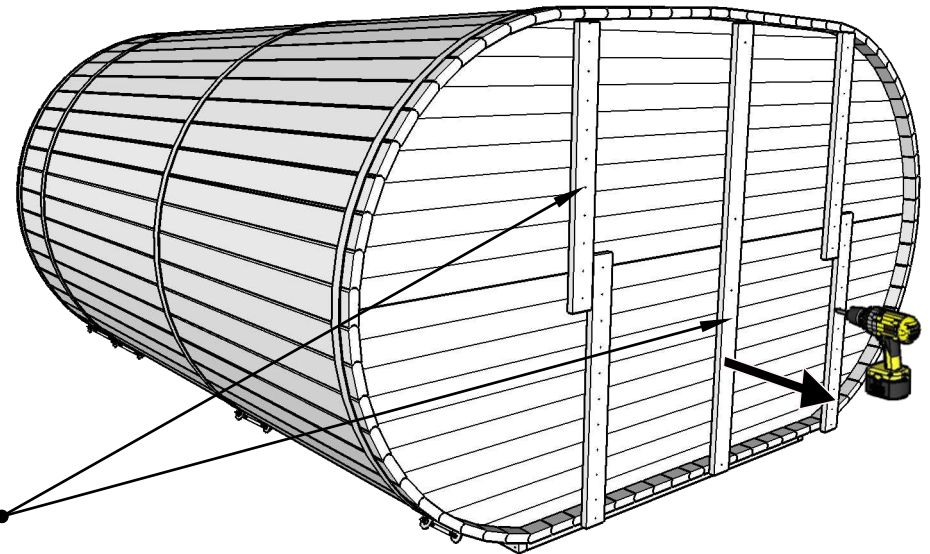


III

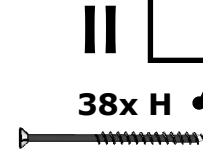
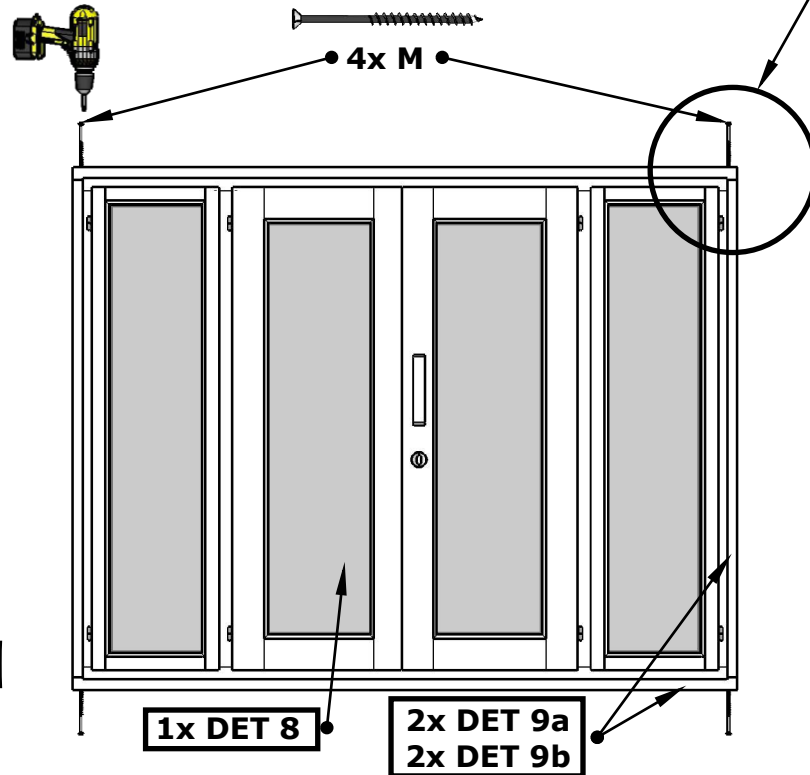
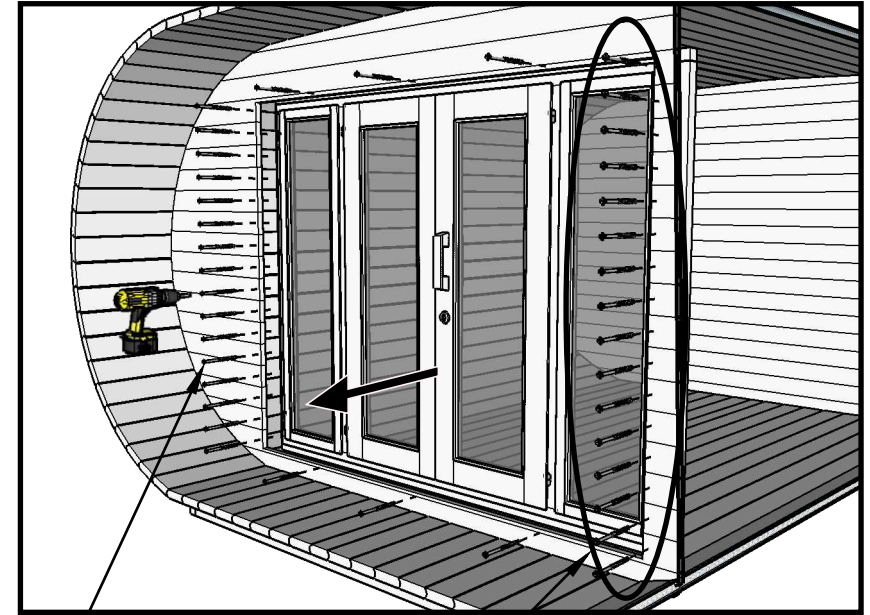
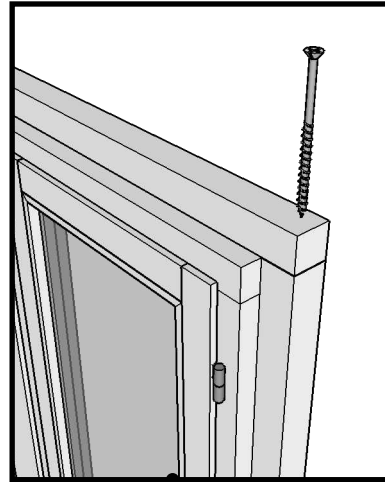
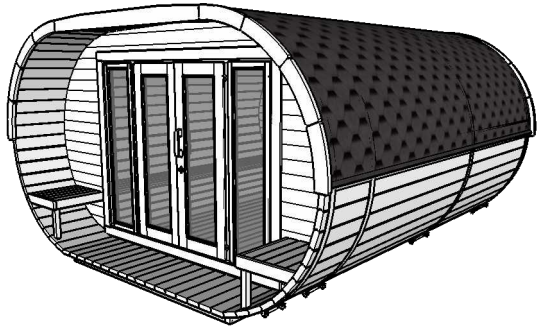


I

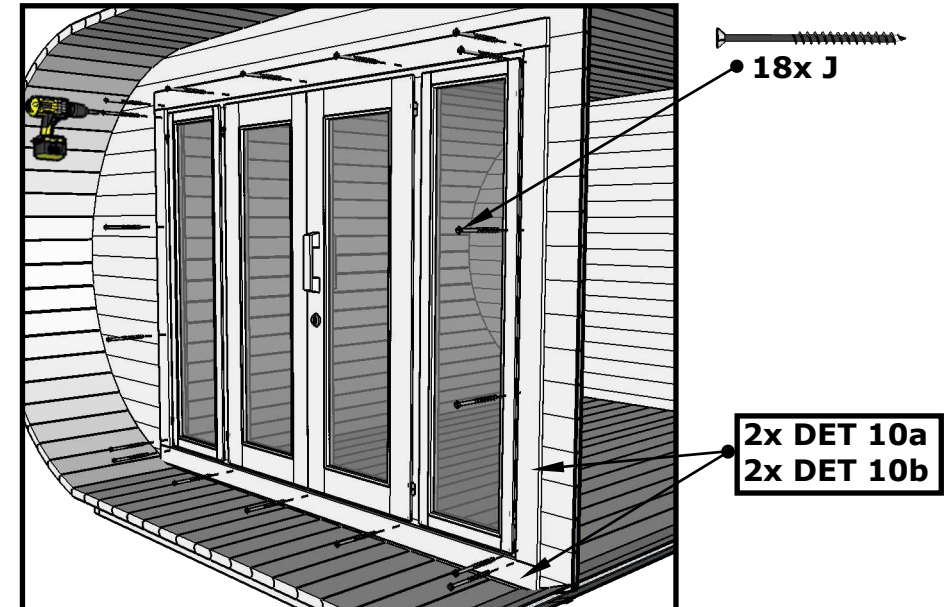
Remove all brackets



# Camping Oval 400 x 400



Vertically fix screw  
in every board.

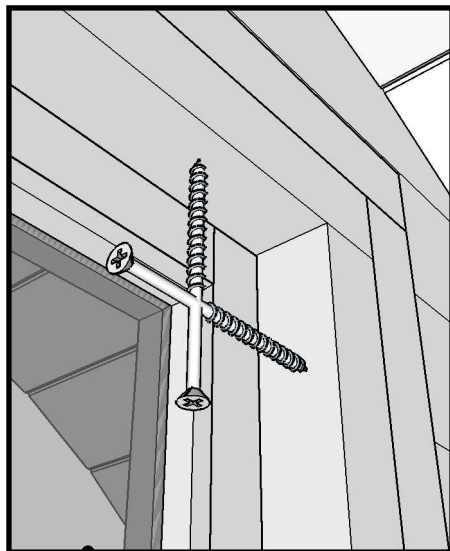


10.

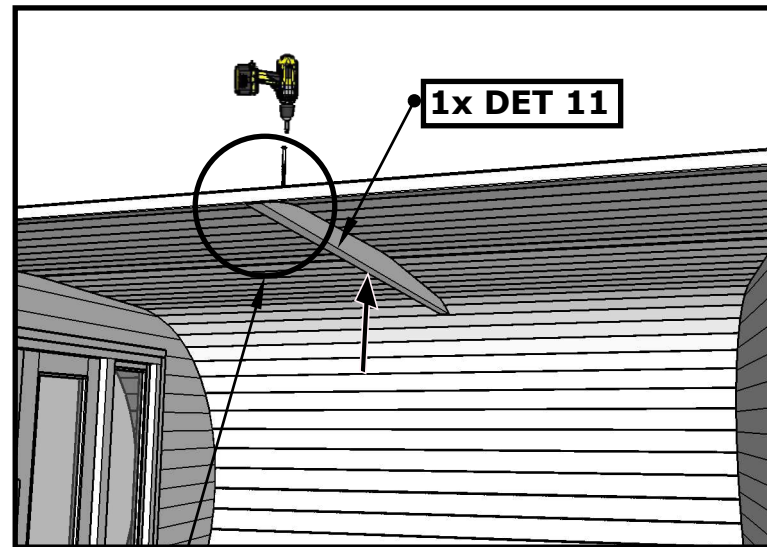
# Camping Oval 400 x 400



II



III

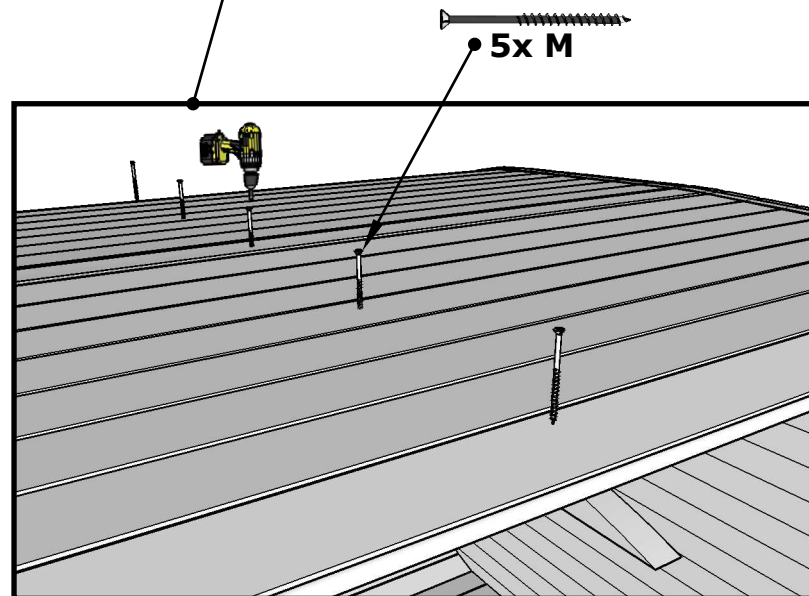


• 14x H

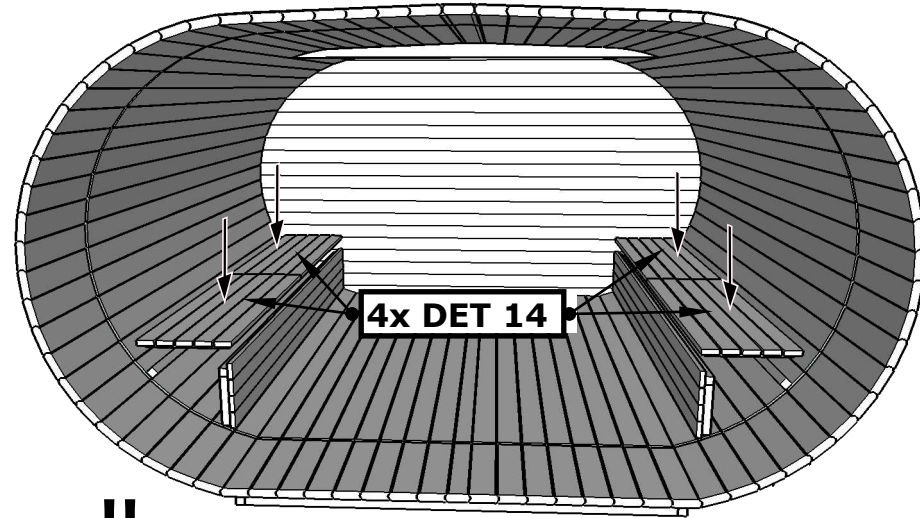
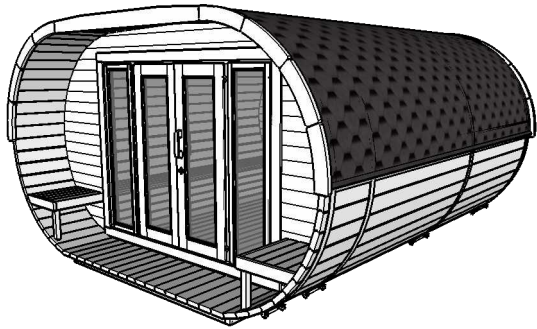


• 5x M

IV



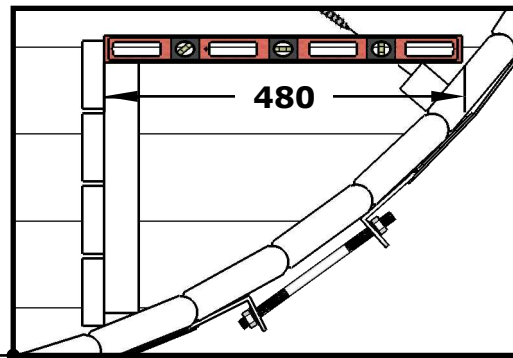
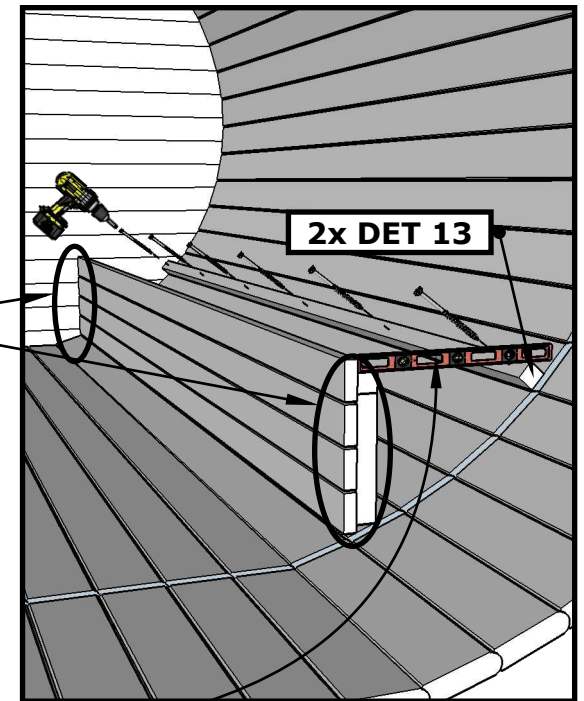
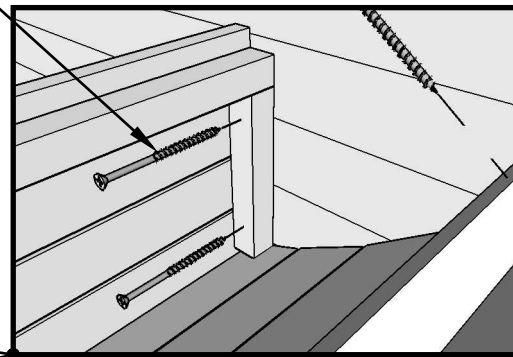
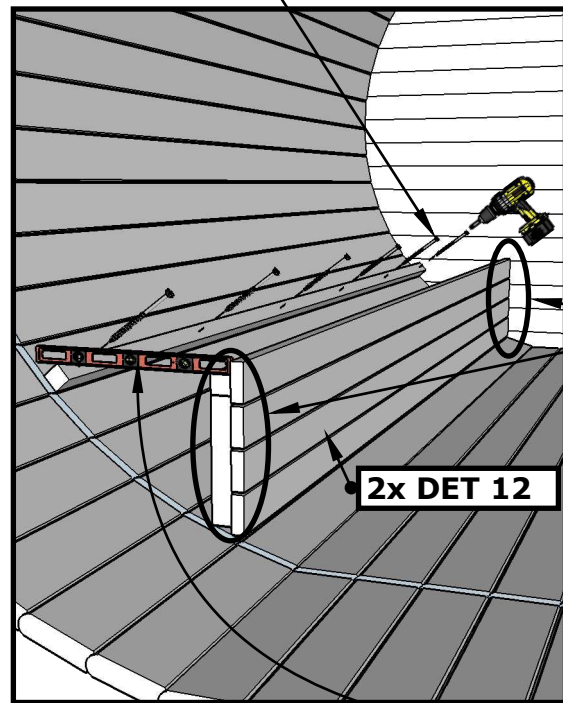
# Camping Oval 400 x 400



II

12x H

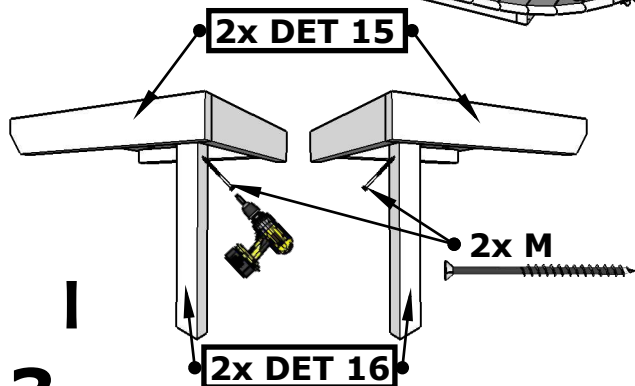
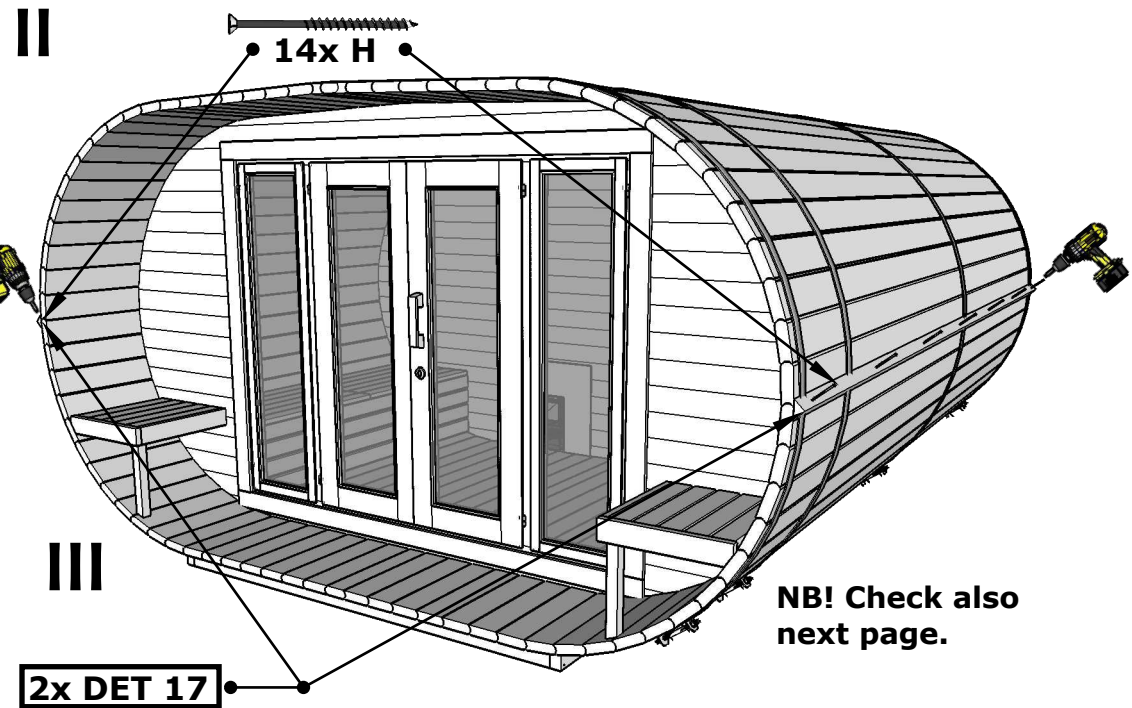
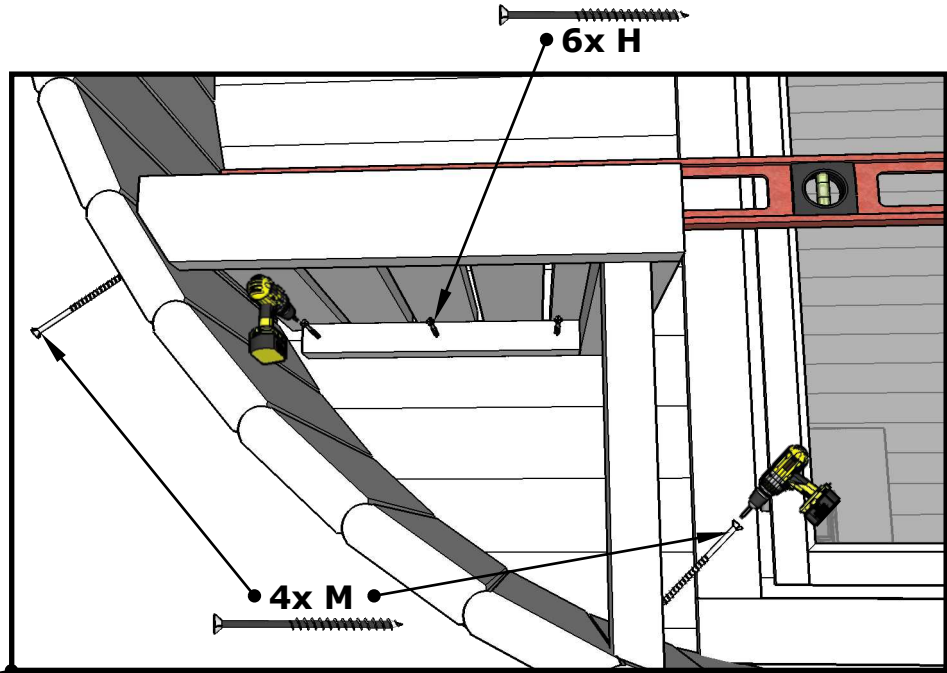
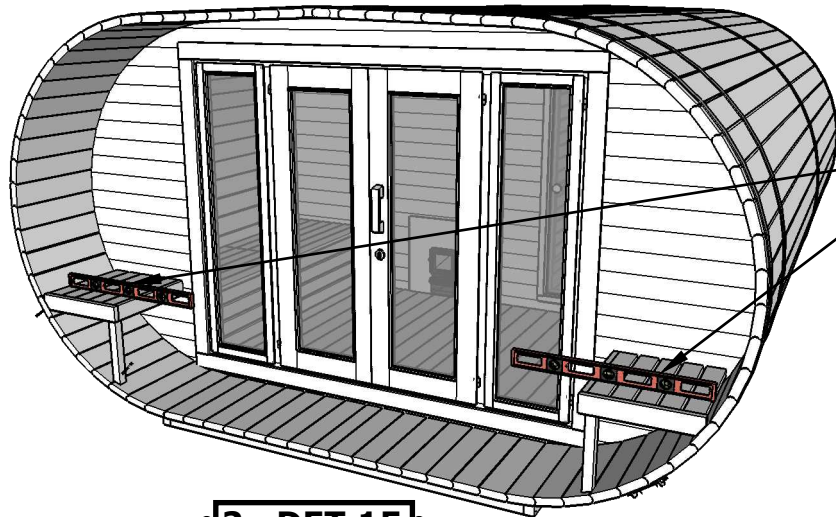
8x H



12.



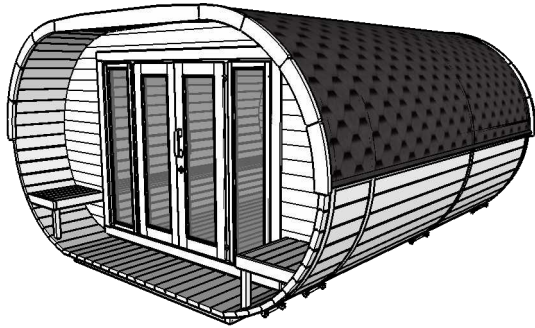
# Camping Oval 400 x 400



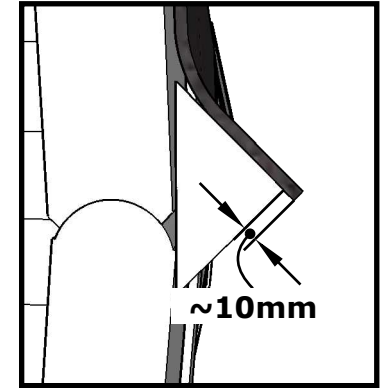
13.

NB! Check also next page.

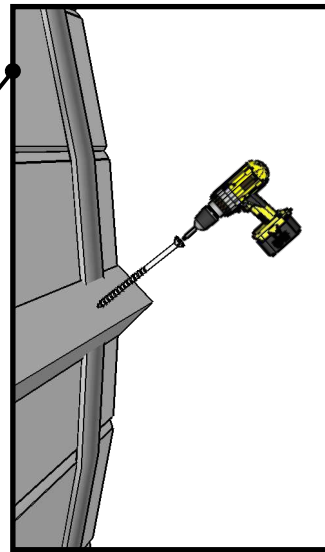
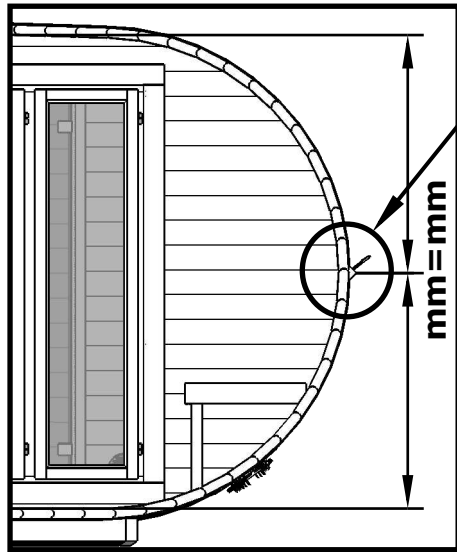
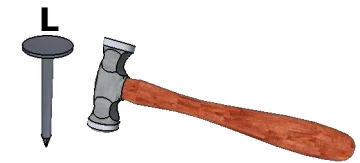
# Camping Oval 400 x 400



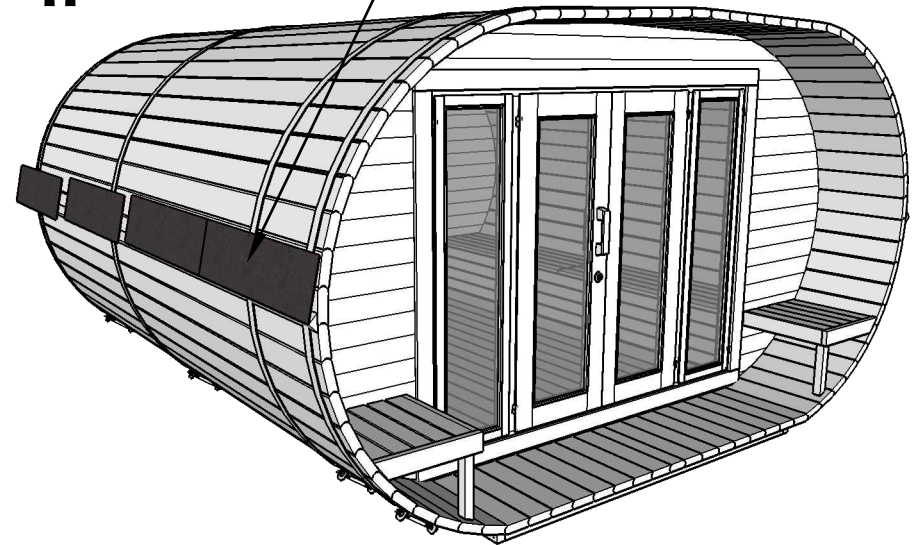
Check also roof shingles installation manual inside package.



NB! Before shingles installation, mount underlay felt. Check extra pages.



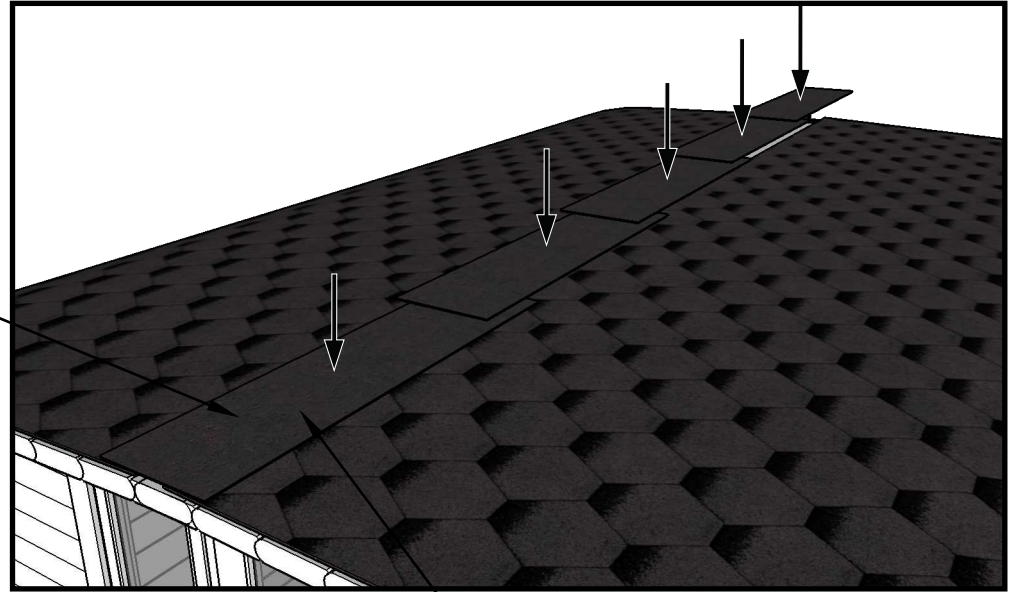
II



# Camping Oval 400 x 400

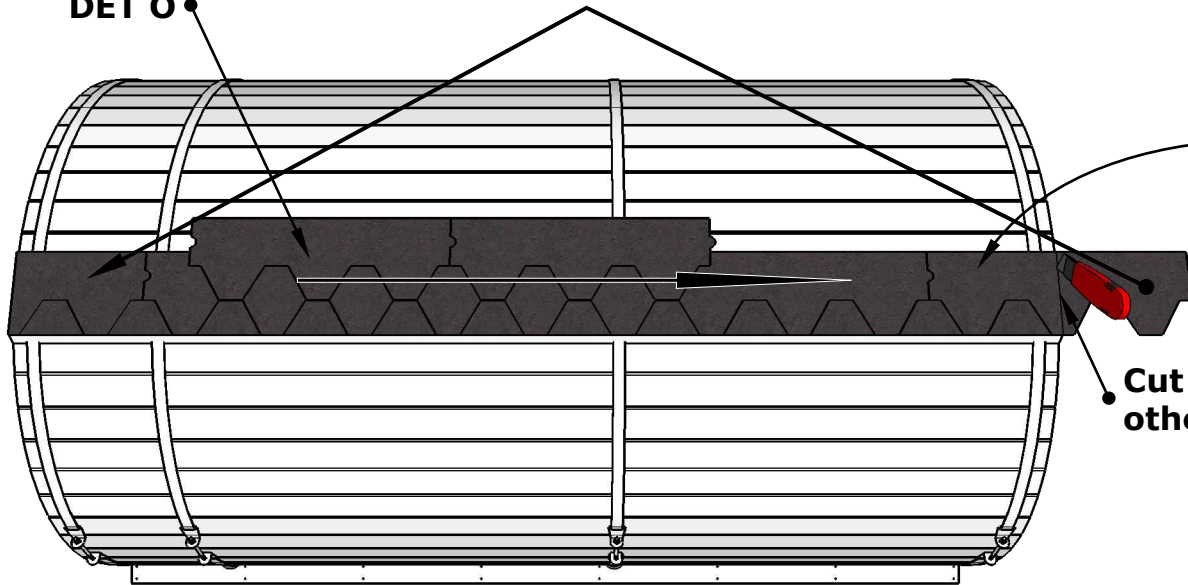


DET N

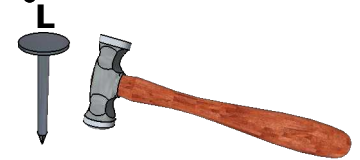


II

DET O



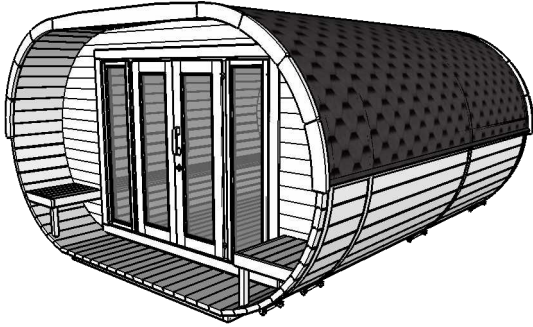
Cut and use it other end.



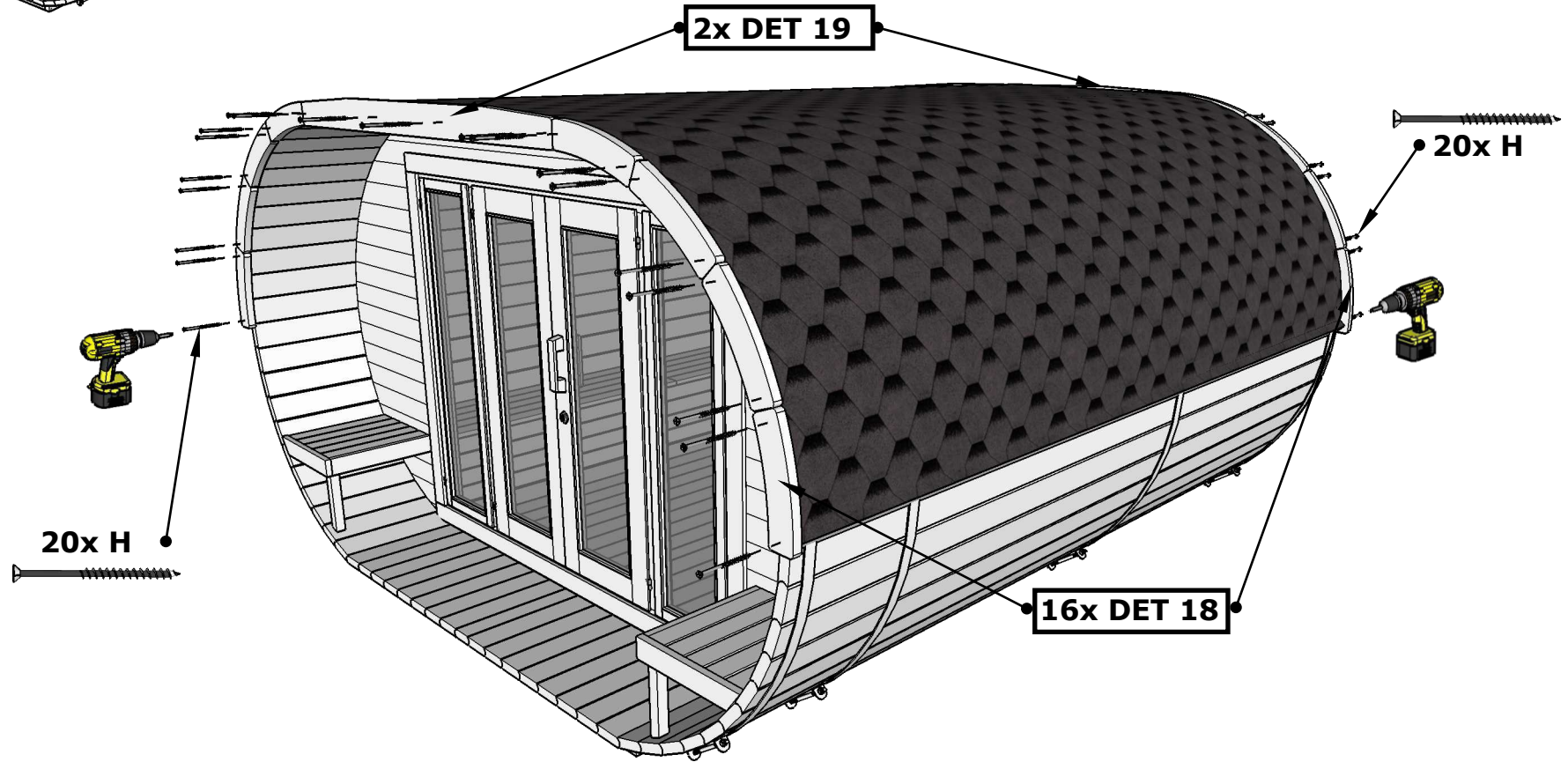
I

15.

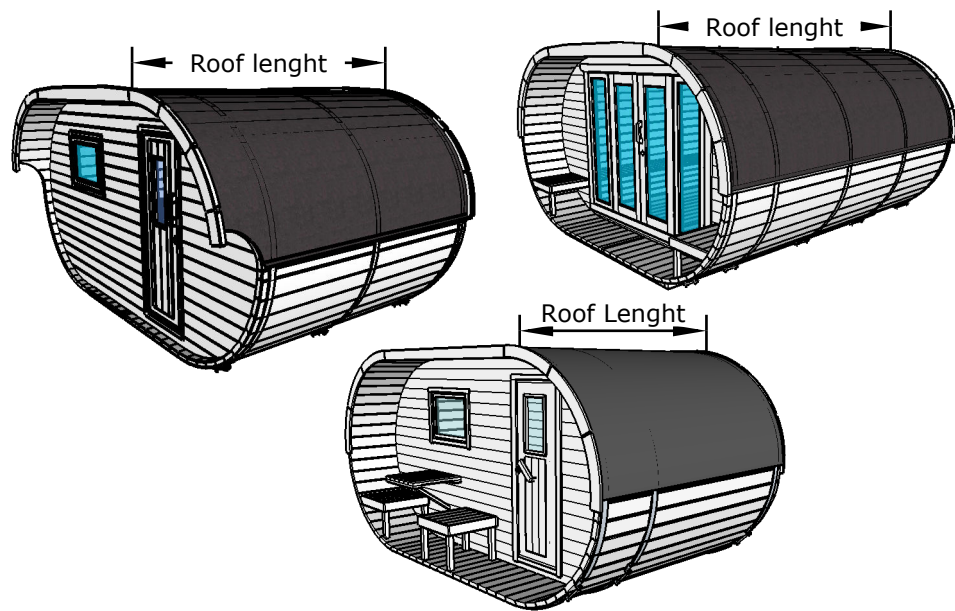
# Camping Oval 400 x 400



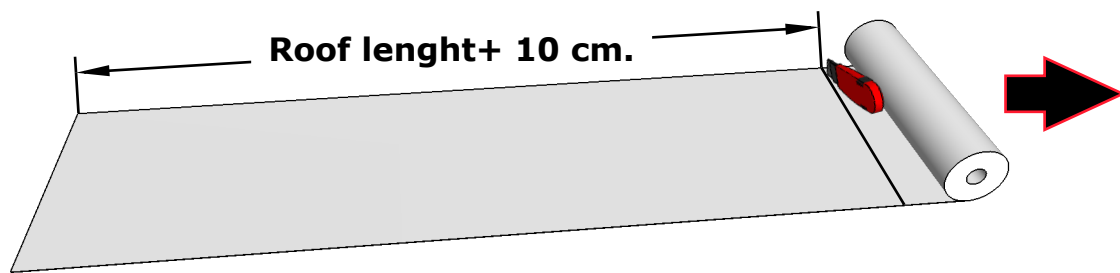
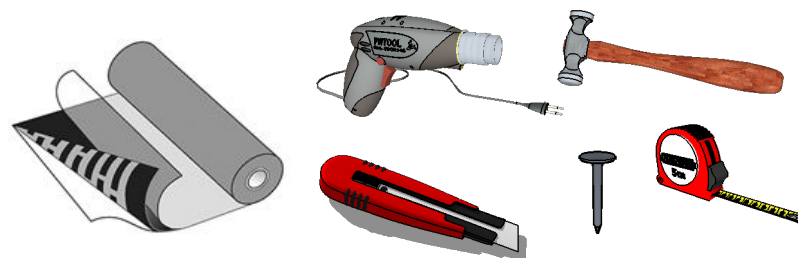
Cut DET 19 to the right length, if necessary.



# Self-adhesive UNDERLAY FELT INSTALLATION MANUAL.

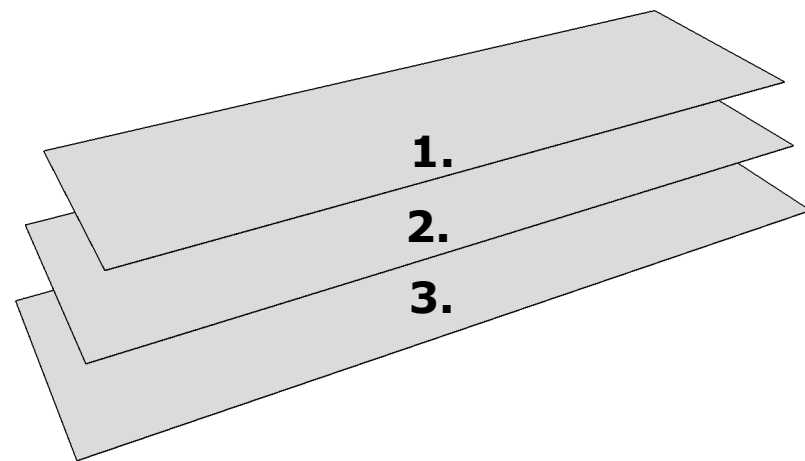


The temperature during installation should be a minimum of +10°C. In colder conditions, a hot air gun should be used.  
**Hot bitumen or torching must not be used when installing the felt.**

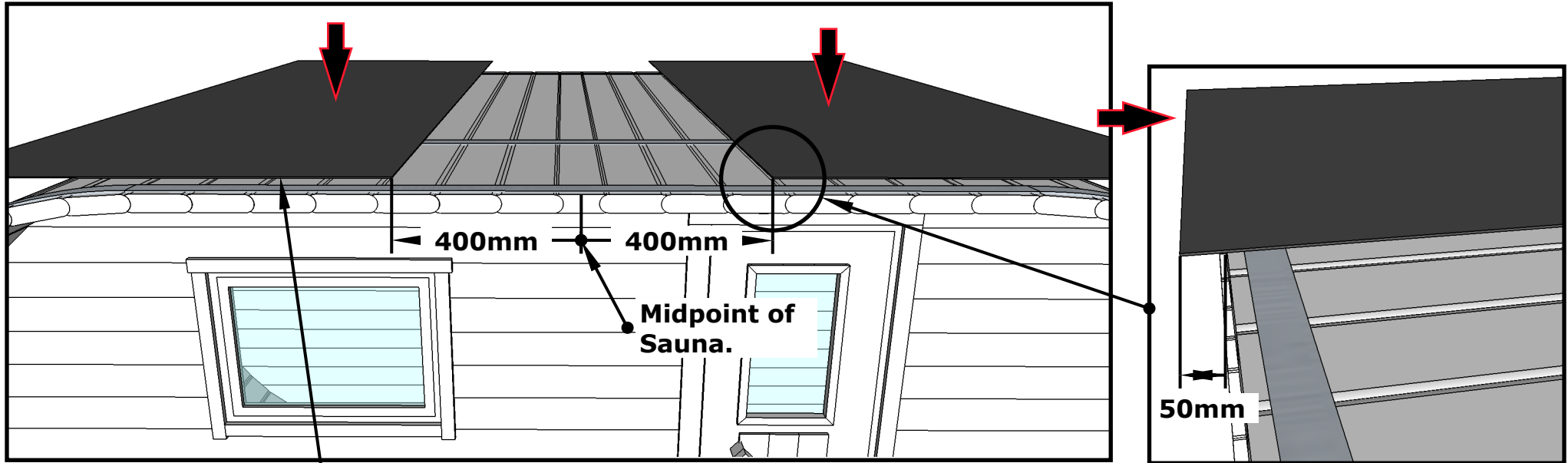


**1.**

**I.**



**II.**



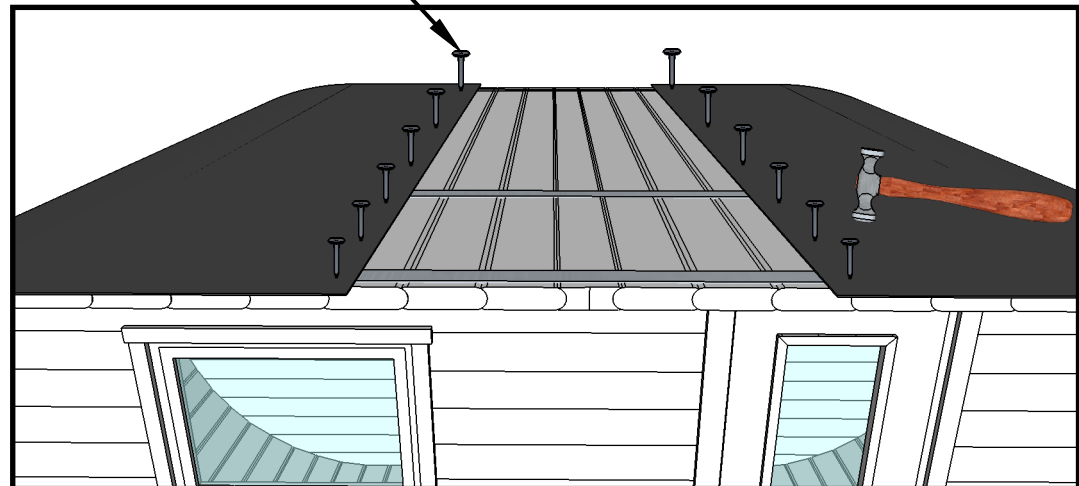
**I.**

**II.**



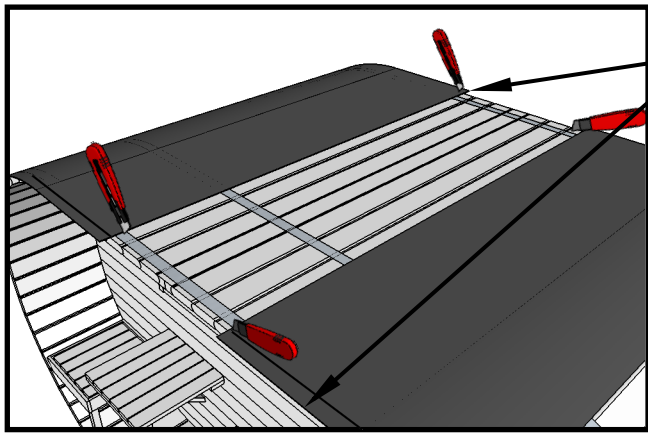
Before placing underlay felt, remove bottom film.

Fix top side of underlay felt with clout nails every ~30 cm.



**2.**

**III.**



**I.**

Remove top film.

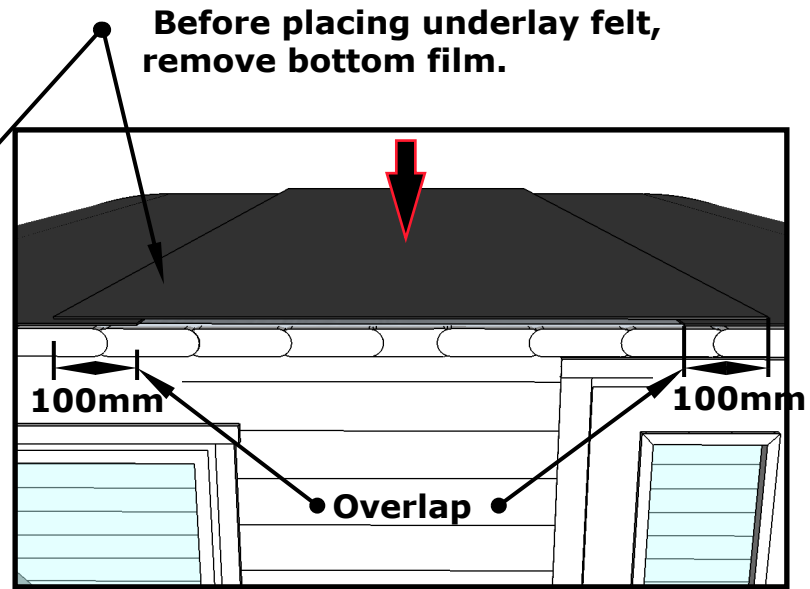
Cut off the parts that extend over the edge of the roof.



**II.**



**III.**

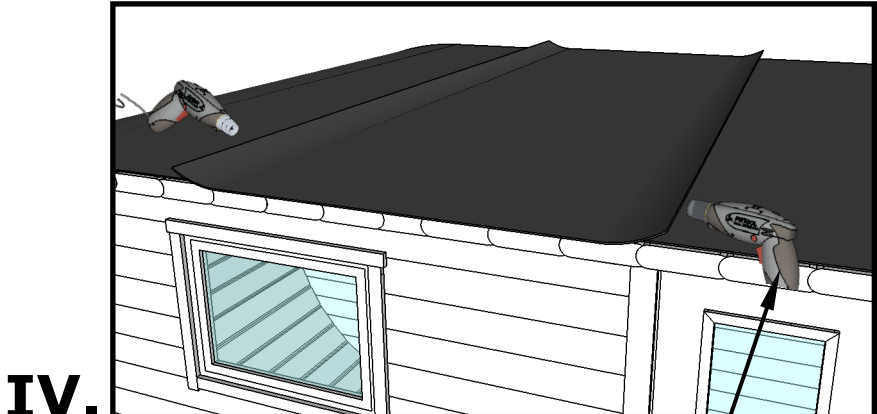


Before placing underlay felt, remove bottom film.

100mm

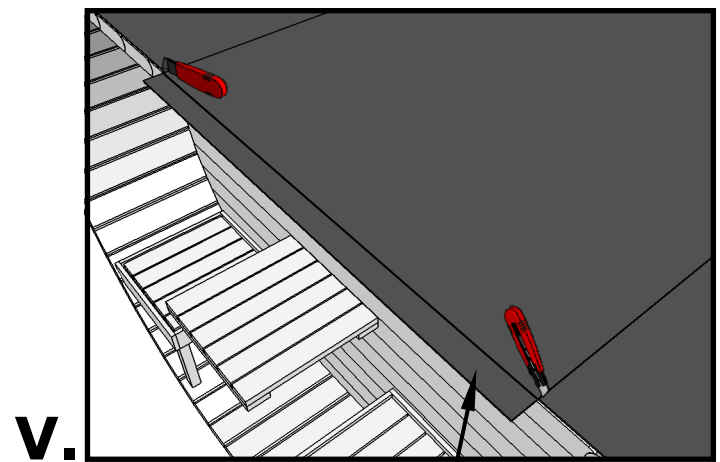
Overlap

100mm



**IV.**

If necessary, use hot air gun to seal overlaps. Do not use torching!!! Do not use nails !!!



**V.**

Cut off the parts that extend over the edge of the roof.

Remove top film.



**VI.**

**3.**